

Instruction manual

MODEL
CPF6025VP

Oilfree Compressors



IMPORTANT

Please make certain that the person who is to use this equipment carefully reads and understands these instructions before starting operations.

To learn more about Porter-Cable
visit our website at:
<http://www.porter-cable.com>

PORTER-CABLE®
PROFESSIONAL POWER TOOLS

The Model and Serial No. plate is located on the frame. Record these numbers in the spaces below and retain for future reference.

Model No. _____

Type _____

Serial No. _____

SAFETY GUIDELINES - DEFINITIONS

This manual contains information that is important for you to know and understand. This information relates to protecting **YOUR SAFETY** and **PREVENTING EQUIPMENT PROBLEMS**. To help you recognize this information, we use the symbols below. Please read the manual and pay attention to these sections.

<p>⚠ DANGER</p> <p>DANGER indicates an imminently hazardous situation which, if not avoided, will result in death or serious injury.</p>	<p>⚠ CAUTION</p> <p>CAUTION indicates a potentially hazardous situation which, if not avoided, may result in minor or moderate injury.</p>
<p>⚠ WARNING</p> <p>WARNING indicates a potentially hazardous situation which, if not avoided, could result in death or serious injury.</p>	<p>⚠ CAUTION</p> <p>CAUTION used without the safety alert symbol indicates a potentially hazardous situation which, if not avoided, may result in property damage.</p>
<p>Call our Toll Free Number 1-888-559-8550, to obtain the location of the nearest Authorized Service Center for ordering repair parts and for warranty repairs.</p> <p>When ordering repair parts from your local Authorized Service Center, always give the following information:</p> <ul style="list-style-type: none">• Model number of your compressor• Part number and description of the item you wish to purchase	
<p><i>Retain Original Sales Receipt as Proof of Purchase for Warranty Repair Work.</i></p>	

IMPORTANT SAFETY INSTRUCTIONS

⚠ WARNING When using electric tools, basic safety precautions should always be followed to reduce the risk of fire, electric shock and personal injury, including the following:

READ AND FOLLOW ALL INSTRUCTIONS.

This tool was designed for certain applications. Porter-Cable strongly recommends that this tool NOT be modified and/or used for any application other than for which it was designed. If you have any questions relative to its application DO NOT use the tool until you have written Porter-Cable and we have advised you.

Technical Service Manager
Porter-Cable Corporation
4825 Highway 45 North
P.O. Box 2468
Jackson, TN 38302-2468

IMPORTANT SAFETY INSTRUCTIONS (cont'd)

SAVE THESE INSTRUCTIONS



IMPROPER OPERATION OR MAINTENANCE OF THIS PRODUCT COULD RESULT IN SERIOUS INJURY AND PROPERTY DAMAGE. READ AND UNDERSTAND ALL WARNINGS AND OPERATING INSTRUCTIONS BEFORE USING THIS EQUIPMENT.

HAZARD

RISK OF EXPLOSION OR FIRE



WHAT CAN HAPPEN	HOW TO PREVENT IT
<p>IT IS NORMAL FOR ELECTRICAL CONTACTS WITHIN THE MOTOR AND PRESSURE SWITCH TO SPARK.</p> <p>IF ELECTRICAL SPARKS FROM COMPRESSOR COME INTO CONTACT WITH FLAMMABLE VAPORS, THEY MAY IGNITE, CAUSING FIRE OR EXPLOSION.</p> <p>RESTRICTING ANY OF THE COMPRESSOR VENTILATION OPENINGS WILL CAUSE SERIOUS OVERHEATING AND COULD CAUSE FIRE.</p> <p>UNATTENDED OPERATION OF THIS PRODUCT COULD RESULT IN PERSONAL INJURY OR PROPERTY DAMAGE.</p>	<p>ALWAYS OPERATE THE COMPRESSOR IN A WELL VENTILATED AREA FREE OF COMBUSTIBLE MATERIALS, GASOLINE OR SOLVENT VAPORS.</p> <p>IF SPRAYING FLAMMABLE MATERIALS, LOCATE COMPRESSOR AT LEAST 20 FEET AWAY FROM SPRAY AREA. AN ADDITIONAL LENGTH OF HOSE MAY BE REQUIRED.</p> <p>STORE FLAMMABLE MATERIALS IN A SECURE LOCATION AWAY FROM COMPRESSOR.</p> <p>NEVER PLACE OBJECTS AGAINST OR ON TOP OF COMPRESSOR. OPERATE COMPRESSOR IN AN OPEN AREA AT LEAST 12 INCHES AWAY FROM ANY WALL OR OBSTRUCTION THAT WOULD RESTRICT THE FLOW OF FRESH AIR TO THE VENTILATION OPENINGS.</p> <p>OPERATE COMPRESSOR IN A CLEAN, DRY, WELL VENTILATED AREA. DO NOT OPERATE UNIT INDOORS OR IN ANY CONFINED AREA.</p> <p>ALWAYS REMAIN IN ATTENDANCE WITH THE PRODUCT WHEN IT IS OPERATING.</p>

RISK OF BURSTING



AIR TANK: THE FOLLOWING CONDITIONS COULD LEAD TO A WEAKENING OF THE TANK, AND RESULT IN A VIOLENT TANK EXPLOSION AND COULD CAUSE PROPERTY DAMAGE OR SERIOUS INJURY.

WHAT CAN HAPPEN	HOW TO PREVENT IT
<ol style="list-style-type: none">FAILURE TO PROPERLY DRAIN CONDENSED WATER FROM THE TANK, CAUSING RUST AND THINNING OF THE STEEL TANK.MODIFICATIONS OR ATTEMPTED REPAIRS TO THE TANK.UNAUTHORIZED MODIFICATIONS TO THE UNLOADER VALVE, SAFETY VALVE, OR ANY OTHER COMPONENTS WHICH CONTROL TANK PRESSURE.EXCESSIVE VIBRATION CAN WEAKEN THE AIR TANK AND CAUSE RUPTURE OR EXPLOSION. <p>ATTACHMENTS & ACCESSORIES: EXCEEDING THE PRESSURE RATING OF AIR TOOLS, SPRAY GUNS, AIR OPERATED ACCESSORIES, TIRES AND OTHER INFLATABLES CAN CAUSE THEM TO EXPLODE OR FLY APART, AND COULD RESULT IN SERIOUS INJURY.</p>	<p>DRAIN TANK DAILY OR AFTER EACH USE. IF TANK DEVELOPS A LEAK, REPLACE IT IMMEDIATELY WITH A NEW TANK OR REPLACE THE ENTIRE COMPRESSOR.</p> <p>NEVER DRILL INTO, WELD, OR MAKE ANY MODIFICATIONS TO THE TANK OR ITS ATTACHMENTS.</p> <p>THE TANK IS DESIGNED TO WITHSTAND SPECIFIC OPERATING PRESSURES. NEVER MAKE ADJUSTMENTS OR PARTS SUBSTITUTIONS TO ALTER THE FACTORY SET OPERATING PRESSURES.</p> <p>FOR ESSENTIAL CONTROL OF AIR PRESSURE, YOU MUST INSTALL A PRESSURE REGULATOR AND PRESSURE GAUGE TO THE AIR OUTLET OF YOUR COMPRESSOR. FOLLOW THE EQUIPMENT MANUFACTURERS RECOMMENDATION AND NEVER EXCEED THE MAXIMUM ALLOWABLE PRESSURE RATING OF ATTACHMENTS. NEVER USE COMPRESSOR TO INFLATE SMALL LOW-PRESSURE OBJECTS SUCH AS CHILDREN'S TOYS, FOOTBALLS, BASKETBALLS. ETC.</p>

IMPORTANT SAFETY INSTRUCTIONS (cont'd)

RISK FROM FLYING OBJECTS



WHAT CAN HAPPEN	HOW TO PREVENT IT
THE COMPRESSED AIR STREAM CAN CAUSE SOFT TISSUE DAMAGE TO EXPOSED SKIN AND CAN PROPEL DIRT, CHIPS, LOOSE PARTICLES AND SMALL OBJECTS AT HIGH SPEED , RESULTING IN PROPERTY DAMAGE OR PERSONAL INJURY.	ALWAYS WEAR ANSI Z87.1 APPROVED SAFETY GLASSES WITH SIDE SHIELDS WHEN USING THE COMPRESSOR. NEVER POINT ANY NOZZLE OR SPRAYER TOWARD ANY PART OF THE BODY OR AT OTHER PEOPLE OR ANIMALS. ALWAYS TURN THE COMPRESSOR OFF AND BLEED PRESSURE FROM THE AIR HOSE AND TANK BEFORE ATTEMPTING MAINTENANCE, ATTACHING TOOLS OR ACCESSORIES.

RISK TO BREATHING



WHAT CAN HAPPEN	HOW TO PREVENT IT
THE COMPRESSED AIR FROM YOUR COMPRESSOR IS NOT SAFE FOR BREATHING! THE AIR STREAM MAY CONTAIN CARBON MONOXIDE, TOXIC VAPORS OR SOLID PARTICLES FROM THE TANK. SPRAYED MATERIALS SUCH AS PAINT, PAINT SOLVENTS, PAINT REMOVER, INSECTICIDES, WEED KILLERS, CONTAIN HARMFUL VAPORS AND POISONS.	ALWAYS OPERATE AIR COMPRESSOR OUTSIDE IN A CLEAN, WELL VENTILATED AREA . AVOID ENCLOSED AREAS SUCH AS GARAGES, BASEMENTS, STORAGE SHEDS, WHICH LACK A STEADY EXCHANGE OF AIR. KEEP CHILDREN, PETS AND OTHERS AWAY FROM AREA OF OPERATION. NEVER INHALE AIR FROM THE COMPRESSOR EITHER DIRECTLY OR FROM A BREATHING DEVICE CONNECTED TO THE COMPRESSOR. WORK IN AN AREA WITH GOOD CROSS-VENTILATION . READ AND FOLLOW THE SAFETY INSTRUCTIONS PROVIDED ON THE LABEL OR SAFETY DATA SHEETS FOR THE MATERIAL YOU ARE SPRAYING . USE A NIOSH/MSHA APPROVED RESPIRATOR DESIGNED FOR USE WITH YOUR SPECIFIC APPLICATION.

RISK OF ELECTRICAL SHOCK



WHAT CAN HAPPEN	HOW TO PREVENT IT
YOUR AIR COMPRESSOR IS POWERED BY ELECTRICITY . LIKE ANY OTHER ELECTRICALLY POWERED DEVICE, IF IT IS NOT USED PROPERLY IT MAY CAUSE ELECTRIC SHOCK . REPAIRS ATTEMPTED BY UNQUALIFIED PERSONNEL CAN RESULT IN SERIOUS INJURY OR DEATH BY ELECTROCUTION.	NEVER OPERATE THE COMPRESSOR OUTDOORS WHEN IT IS RAINING OR IN WET CONDITIONS. NEVER OPERATE COMPRESSOR WITH COVER COMPONENTS REMOVED OR DAMAGED. ANY ELECTRICAL WIRING OR REPAIRS REQUIRED ON THIS PRODUCT SHOULD BE PERFORMED BY AUTHORIZED SERVICE CENTER PERSONNEL IN ACCORDANCE WITH NATIONAL AND LOCAL ELECTRICAL CODES.
ELECTRICAL GROUNDING: FAILURE TO PROVIDE ADEQUATE GROUNDING TO THIS PRODUCT COULD RESULT IN SERIOUS INJURY OR DEATH FROM ELECTROCUTION . SEE GROUNDING INSTRUCTIONS.	MAKE CERTAIN THAT THE ELECTRICAL CIRCUIT TO WHICH THE COMPRESSOR IS CONNECTED PROVIDES PROPER ELECTRICAL GROUNDING, CORRECT VOLTAGE AND ADEQUATE FUSE PROTECTION .

IMPORTANT SAFETY INSTRUCTIONS (cont'd)

RISK FROM MOVING PARTS



WHAT CAN HAPPEN	HOW TO PREVENT IT
<p>MOVING PARTS SUCH AS THE PULLEY, FLYWHEEL, AND BELT CAN CAUSE SERIOUS INJURY IF THEY COME INTO CONTACT WITH YOU OR YOUR CLOTHING.</p> <p>ATTEMPTING TO OPERATE COMPRESSOR WITH DAMAGED OR MISSING PARTS OR ATTEMPTING TO REPAIR COMPRESSOR WITH PROTECTIVE SHROUDS REMOVED CAN EXPOSE YOU TO MOVING PARTS AND CAN RESULT IN SERIOUS INJURY.</p>	<p>NEVER OPERATE THE COMPRESSOR WITH GUARDS OR COVERS WHICH ARE DAMAGED OR REMOVED.</p> <p>ANY REPAIRS REQUIRED ON THIS PRODUCT SHOULD BE PERFORMED BY AUTHORIZED SERVICE CENTER PERSONNEL.</p>

RISK OF BURNS



WHAT CAN HAPPEN	HOW TO PREVENT IT
<p>TOUCHING EXPOSED METAL SUCH AS THE COMPRESSOR HEAD OR OUTLET TUBES, CAN RESULT IN SERIOUS BURNS.</p>	<p>NEVER TOUCH ANY EXPOSED METAL PARTS ON COMPRESSOR DURING OR IMMEDIATELY AFTER OPERATION. COMPRESSOR WILL REMAIN HOT FOR SEVERAL MINUTES AFTER OPERATION.</p> <p>DO NOT REACH AROUND PROTECTIVE SHROUDS OR ATTEMPT MAINTENANCE UNTIL UNIT HAS BEEN ALLOWED TO COOL.</p>

RISK OF FALLING



WHAT CAN HAPPEN	HOW TO PREVENT IT
<p>A PORTABLE COMPRESSOR CAN FALL FROM A TABLE, WORKBENCH OR ROOF CAUSING DAMAGE TO THE COMPRESSOR AND COULD RESULT IN SERIOUS INJURY OR DEATH TO THE OPERATOR OR BYSTANDERS.</p>	<p>ALWAYS OPERATE COMPRESSOR IN A STABLE SECURE POSITION TO PREVENT ACCIDENTAL MOVEMENT OF THE UNIT. NEVER OPERATE COMPRESSOR ON A ROOF OR OTHER ELEVATED POSITION. USE ADDITIONAL AIR HOSE TO REACH HIGH LOCATIONS.</p>

RISK OF PROPERTY DAMAGE WHEN TRANSPORTING COMPRESSOR

(Fire, Inhalation, Damage to Vehicle Surfaces)



WHAT CAN HAPPEN	HOW TO PREVENT IT
<p>OIL CAN LEAK OR SPILL AND COULD RESULT IN FIRE OR BREATHING HAZARD, SERIOUS INJURY OR DEATH CAN RESULT. OIL LEAKS WILL DAMAGE CARPET, PAINT OR OTHER SURFACES IN VEHICLES OR TRAILERS.</p>	<p>ALWAYS PLACE COMPRESSOR ON A PROTECTIVE MAT WHEN TRANSPORTING TO PROTECT AGAINST DAMAGE TO VEHICLE FROM LEAKS. REMOVE COMPRESSOR FROM VEHICLE IMMEDIATELY UPON ARRIVAL AT YOUR DESTINATION.</p>

GLOSSARY

CFM: Cubic feet per minute.

SCFM: Standard cubic feet per minute; a unit of measure of air delivery.

PSIG: Pounds per square inch gauge; a unit of measure of pressure.

ASME: American Society of Mechanical Engineers; made, tested, inspected and registered to meet the standards of ASME.

California Code: Unit may comply with California Code 462 (l) (2)/(M) (2). Specification/model label is on the side of the tank on units that comply with California Code.

Cut-In Pressure: While the motor is off, air tank pressure drops as you continue to use your accessory or air tool. When the tank pressure drops to a certain low level the motor will restart automatically. The low pressure at which the motor automatically restarts is called "cut-in pressure."

Cut-Out Pressure: When you turn on your air compressor and it begins to run, air pressure in the air tank begins to build. It builds to a certain high pressure before the motor automatically shuts off - protecting your air tank from pressure higher than its capacity. The high pressure at which the motor shuts off is called "cut-out pressure."

Code Certification: Products that bear one or more of the following marks: UL, CUL, ETL, CETL, have been evaluated by OSHA certified independent safety laboratories and meet the applicable Underwriters Laboratories Standards for Safety.

DUTY CYCLE

Porter-Cable air compressors should be operated on not more than a 50% duty cycle. This means an air compressor that pumps air more than 50% of one hour is considered misuse, because the air compressor is undersized for the required air demand. Maximum compressor pumping time per hour is 30 minutes.

SPECIFICATIONS

Model No.

CPF6025VP

Horsepower Peak	6.0
Bore	2.375"
Stroke	1.35"
* Voltage/Hertz/Phase	120/60/1
** Minimum Branch Circuit Requirement	15 amps
* Fuse Type	Time Delay
Amperage at Max. Load	15 Amp
Air Tank Capacity (Gallon)	25
Approximate Cut-in Pressure	110 PSIG
Approximate Cut-out Pressure	135 PSIG
SCFM @ 40 PSIG	8.3
SCFM @ 90 PSIG	5.8

* **CAUTION** This air compressor can be operated on a 15 amp circuit if:

1. Voltage supply to circuit is normal.
2. Circuit is not used to supply any other electrical needs (lights, appliances, etc.)
3. Extension cords comply with specifications in owners manual.
4. Circuit is equipped with 15 amp circuit breaker or 15 amp time delay fuse.

If any of the above conditions cannot be met, or if operation of the air compressor repeatedly causes interruption of the power it may be necessary to operate it from a 20 amp circuit. It is not necessary to change the cord set.

** A circuit breaker is preferred. Use only a fuse or circuit breaker that is the same rating as the branch circuit on which the air compressor is operated. If the air compressor is connected to a circuit protected by fuses, use dual element time delay fuses.

DESCRIPTION OF OPERATION

Drain Valve (not shown): The drain valve is located at the base of the air tank and is used to drain condensation at the end of each use.

Motor Thermal Overload Protector (not shown): The electric motor has an automatic thermal overload protector. If the motor overheats for any reason, the thermal overload protector will shut off the motor. The motor must be allowed to cool before restarting.

ON/AUTO - OFF Switch (A) Fig. 1: Turn this switch ON to provide automatic power to the pressure switch and OFF to remove power at the end of each use.

Air Intake Filter (not shown): This filter is designed to clean air coming into the pump. This filter **must** always be clean and ventilation openings free from obstructions. See "Maintenance".

Air Compressor Pump (not shown): To compress air, the piston moves up and down in the cylinder. On the downstroke, air is drawn in through the air intake valves. The exhaust valve remains closed. On the upstroke of the piston, air is compressed. The intake valves close and compressed air is forced out through the exhaust valve, into the outlet tube, through the check valve and into the air tank. Working air is not available until the compressor has raised the air tank pressure above that required at the air outlet.

Check Valve (not shown): When the air compressor is operating, the check valve is "open", allowing compressed air to enter the air tank. When the air compressor reaches "cut-out" pressure, the check valve "closes", allowing air pressure to remain inside the air tank.

Pressure Release Valve (not shown): The pressure release valve located on the side of the pressure switch, is designed to automatically release compressed air from the compressor head and the outlet tube when the air compressor reaches "cut-out" pressure or is shut off. The pressure release valve allows the motor to restart freely. When the motor stops running, air will be heard escaping from this valve for a few seconds. No air should be heard leaking when the motor is running, or continuous leaking after unit reaches cut-out pressure.

Pressure Switch (B) Fig. 1: The pressure switch automatically starts the motor when the air tank pressure drops below the factory set "cut-in" pressure. It stops the motor when the air tank pressure reaches the factory set "cut-out" pressure.

Safety Valve (C) Fig. 1: If the pressure switch does not shut off the air compressor at its cut-out pressure setting, the safety valve will protect against high pressure by "popping out" at its factory set pressure (slightly higher than the pressure switch cut-out setting).

Outlet Pressure Gauge (D) Fig. 1: The outlet pressure gauge indicates the air pressure available at the outlet side of the regulator. This pressure is controlled by the regulator and is always less than or equal to the tank pressure.

Tank Pressure Gauge (E) Fig. 1: The tank pressure gauge indicates the reserve air pressure in the tank.

Regulator (F) Fig. 1: The air pressure coming from the air tank is controlled by the regulator knob. Turn the knob clockwise to increase pressure and counterclockwise to decrease pressure. To avoid minor readjustment after making a change in pressure setting, always approach the desired pressure from a lower pressure. When reducing from a higher to a lower setting, first reduce to some pressure less than that desired, then bring up to the desired pressure. Depending on the air requirements of each particular accessory, the outlet regulated air pressure may have to be adjusted while you are operating the accessory.

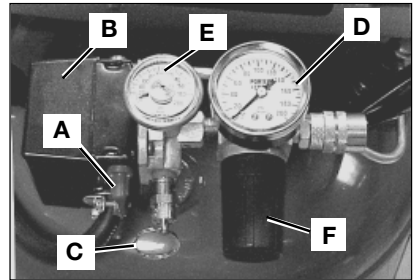


Fig. 1

INSTALLATION

Installing Wheels, and Rubber Feet (Fig. 2)

⚠ WARNING THE WHEELS AND HANDLE DO NOT PROVIDE ADEQUATE CLEARANCE, STABILITY OR SUPPORT FOR PULLING THE UNIT UP AND DOWN STAIRS OR STEPS. THE UNIT MUST BE LIFTED, OR PUSHED UP A RAMP.

⚠ CAUTION It may be necessary to brace or support one end of the outfit when attaching the wheels and the rubber feet, because the air compressor will have a tendency to tip.

1. Place shoulder bolt (C) through wheel (B) and position it into the bottom hole of the mounting bracket (protruding hub to the inside). Thread nut (A) onto shoulder bolt and tighten firmly with a 9/16" wrench. Repeat to install second wheel.
2. Attach the rubber feet (D) to the bottom of the wheel bracket using the screws (E) provided.

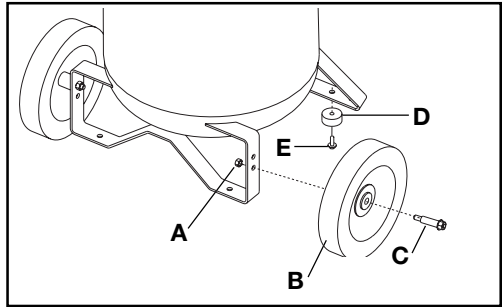


Fig. 2

Location of the Air Compressor

Locate the air compressor in a clean, dry, and well-ventilated area. The air filter must be kept clear of obstructions which could reduce air flow to the air compressor. The air compressor should be located at least 12" away from the wall or other obstructions that will interfere with the flow of air. The air compressor head and shroud are designed to allow for proper cooling. If humidity is high, an air filter can be installed on the air outlet adapter to remove excessive moisture. Follow the instructions packaged with the air filter for proper installation.

Lubrication and Oil

This unit needs no lubrication or oiling.

Extension Cords

To avoid voltage drop, power loss, and overheating to the motor, use extra air hose instead of an extension cord. Low voltage can cause damage to the motor.

If an extension cord *must* be used:

- use only a 3-wire extension cord that has a 3-blade grounding plug and a 3-slot receptacle that will accept the plug on the extension cord.
- make sure the extension cord is in good condition.
- the extension cord should be no longer than 50 feet.
- the minimum wire size is 12 gauge (AWG). (Wire size increases as gauge number decreases. 10 AWG and 8 AWG may also be used. DO NOT USE 14 AWG or 16 AWG.)

Voltage and Circuit Protection

Refer to the specification chart for voltage and circuit protection requirements of your compressor. Use only a fuse or circuit breaker that is the same rating as the branch circuit on which the air compressor is operated. If the compressor is connected to a circuit protected by fuses, use only dual element time delay fuses.

Piping

⚠ WARNING Plastic or PVC pipe is not designed for use with compressed air. Regardless of its indicated pressure rating, plastic pipe can burst from air pressure. Use only metal pipe for air distribution lines.

If a pipe line is necessary, use pipe that is the same size as the air tank outlet. Piping that is too small will restrict the flow of air. If piping is over 100 feet long, use the next larger size. Bury underground lines below the frost line and avoid pockets where condensation can gather and freeze. Apply pressure before underground lines are covered to make sure all pipe joints are free of leaks.

A flexible coupling needs to be installed between the air discharge valve outlet and main air distribution line to allow for vibration.

GROUNDING INSTRUCTIONS

⚠ DANGER RISK OF ELECTRICAL SHOCK! In the event of a short circuit, grounding reduces the risk of shock by providing an escape wire for the electric current. This air compressor must be properly grounded.

If these grounding instructions are not completely understood, or if in doubt as to whether the compressor is properly grounded, have the installation checked by a qualified electrician. The air compressor is equipped with a cord having a grounding wire with an appropriate grounding plug. The plug must be used with an outlet that has been installed and grounded in accordance with all local codes and ordinances. The outlet must have the same configuration as the plug. See Fig. 3.

DO NOT USE AN ADAPTER.

Inspect the plug and cord before each use. Do not use if there are signs of damage.

⚠ DANGER Improper grounding can result in electrical shock!

Do not modify the plug that has been provided. If it does not fit the available outlet, the correct outlet should be installed by a qualified electrician.

If repairing or replacing cord or plug, the grounding wire must be kept separate from the current-carrying wires. Never connect the grounding wire to a flat blade plug terminal. The grounding wire has insulation with an outer surface that is green - with or without yellow stripes.

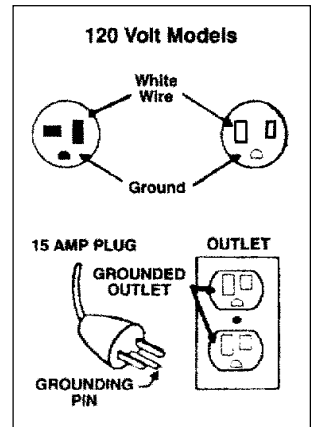


Fig. 3

Additional Regulators and Controls

Since the air tank pressure is usually greater than that which is needed, a separate regulator is usually employed to control the air pressure ahead of any individual air-driven device.

BREAK-IN PROCEDURES

⚠ CAUTION Serious damage may result if the following break-in instructions are not closely followed.

This procedure is required before the air compressor is put into service. (before the hose is installed), the check valve is replaced, or a complete compressor pump is replaced.

The procedure:

1. Make sure the pressure switch lever is in the "OFF" position.
2. Plug the power cord into the correct branch circuit receptacle.
3. Open the drain valve fully to permit air to escape and prevent air pressure build up in the air tank during the break-in period.
4. Move the pressure switch lever to "ON/AUTO". The compressor will start.
5. Run the compressor for 15 minutes. Make sure the drain valve is open and there is minimal air pressure build-up in tank.
6. After 15 minutes, close the drain valve.
7. Move the pressure switch lever to "ON/AUTO". The air receiver will fill to cut-out pressure and the motor will stop. The compressor is now ready for use.

OPERATING PROCEDURES

Daily Start-Up Checklist

1. Before attaching air hose or accessories, make sure the ON/AUTO lever is set to "OFF" and the air regulator is closed.
2. Attach hose and accessories.

⚠ WARNING TOO MUCH AIR PRESSURE CAUSES A HAZARDOUS RISK OF BURSTING. CHECK THE MANUFACTURER'S MAXIMUM PRESSURE RATING FOR AIR TOOLS AND ACCESSORIES. THE REGULATOR OUTLET PRESSURE MUST NEVER EXCEED THE MAXIMUM PRESSURE RATING.

3. Turn the ON/AUTO lever to "AUTO" and allow tank pressure to build. Motor will stop when tank pressure reaches "cut-out" pressure.
4. Open the regulator by turning it clockwise. Adjust the regulator to the correct pressure setting. Your compressor is ready for use.
5. Always operate the air compressor in well-ventilated areas free of gasoline or other combustible vapors. If the compressor is being used to operate a sprayer **DO NOT** use near the spray area.

When you are finished:

6. Set the "ON/AUTO" lever to "OFF".
7. Turn the regulator counterclockwise and set the outlet pressure to zero.
8. Remove the air tool or accessory.
9. Pull ring on safety valve allowing air to bleed from the tank until tank pressure is approximately 20 psi. Release safety valve ring.
10. Drain water from air tank by opening drain cock valve on bottom of tank.

⚠ WARNING WATER WILL CONDENSE IN THE AIR TANK. IF NOT DRAINED, WATER WILL CORRODE AND WEAKEN THE AIR TANK CAUSING A RISK OF AIR TANK RUPTURE.

11. After the water has been drained, close the drain cock or drain valve. The air compressor can now be stored.

NOTE

If drain cock valve is plugged, release all air pressure. The valve can then be removed, cleaned, then reinstalled.

MAINTENANCE

⚠ WARNING Unit cycles automatically when power is on. During maintenance, you could be exposed to voltage sources, compressed air, moving parts, or hot surfaces. Personal injuries can occur. Unplug the unit and bleed off all air tank pressure and allow unit to cool before doing any maintenance or repair. Never operate the unit with the belt guard removed.

To ensure efficient operation and longer life of the air compressor outfit, a routine maintenance schedule should be prepared and followed. The following routine maintenance schedule is geared to an outfit in a normal working environment operating on a daily basis. If necessary, the schedule should be modified to suit the conditions under which your compressor is used. The modifications will depend upon the hours of operation and the working environment. Compressor outfits in an extremely dirty and/or hostile environment will require a greater frequency of all maintenance checks.

ROUTINE MAINTENANCE SCHEDULE

Daily:

1. Pull ring on safety valve allowing air to bleed from the tank until tank pressure is approximately 20 psi. Release safety valve ring.
2. Drain water from the air tank, any moisture separators, or transformers.
3. Check for any unusual noise and/or vibration.
4. Manually check safety valve to make sure of proper operation.
5. Inspect air filter and replace if necessary.
6. Inspect air lines and fittings for leaks and correct as necessary.

Each Year of Operation or if a Problem is Suspected:

Check condition of air compressor pump intake and exhaust valves. Replace if damaged or worn out.

SERVICE INSTRUCTIONS

Air Filter - Inspection and Replacement

Keep the air filter clean at all times. Do not operate the compressor with the air filter removed. A dirty air filter will not allow the compressor to operate at full capacity. Before you use the compressor, check the air filter to be sure it is clean. If it is dirty wash it with mild detergent and warm water, or replace it.

Safety Valve - Inspection

⚠ WARNING IF THE SAFETY VALVE DOES NOT WORK PROPERLY, OVER-PRESSURIZATION MAY OCCUR, CAUSING AIR TANK RUPTURE OR AN EXPLOSION. DAILY PULL THE RING ON THE SAFETY VALVE TO MAKE SURE THAT THE SAFETY VALVE OPERATES FREELY. IF THE VALVE IS STUCK OR DOES NOT OPERATE SMOOTHLY, IT MUST BE REPLACED WITH THE SAME TYPE OF VALVE.

Check Valve Replacement

1. Release all air pressure from air tank and unplug outfit.
2. Remove shroud.
3. Loosen the top and bottom nuts and remove the outlet tube.
4. Remove the pressure release tube and fitting.
5. Unscrew the check valve using a socket wrench.

6. Check that the valve disc moves freely inside the check valve and that the spring holds the disc in the upper, closed position. The check valve may be cleaned with a strong solvent.
7. Apply sealant to the check valve threads. Reinstall the check valve.
8. Replace the pressure release tube and fitting.
9. Replace the outlet tube and tighten top and bottom nuts.
10. Replace the shroud.

Motor

The motor has an automatic reset thermal overload protector. If the motor overheats for any reason, the overload protector will shut off the motor. The motor must be allowed to cool down before restarting. The compressor will automatically restart after the motor cools.

If the overload protector shuts the motor off frequently, check for a possible voltage problem. Low voltage can also be suspected when:

1. The motor does not get up to full power or speed.
2. Fuses blow out when starting the motor; lights dim and remain dim when motor is started and/or is running.

Motor - Wiring Diagram

The motor connection diagram is located on the side of motor.

STORAGE

Before you store the air compressor, make sure you do the following:

1. Review the "Maintenance" section on the preceding pages and perform scheduled maintenance as necessary.
2. Set the "ON/AUTO" lever to "OFF".
3. Turn the regulator counterclockwise and set the outlet pressure to zero.
4. Remove the air tool or accessory.
5. Pull ring on safety valve allowing air to bleed from the tank until tank pressure is approximately 20 psi. Release safety valve ring.
6. Drain water from air tank by opening drain cock valve on bottom of tank.

⚠ WARNING WATER WILL CONDENSE IN THE AIR TANK. IF NOT DRAINED, WATER WILL CORRODE AND WEAKEN THE AIR TANK CAUSING A RISK OF AIR TANK RUPTURE.

7. After the water has been drained, close the drain cock or drain valve.

NOTE

If drain cock valve is plugged, release all air pressure. The valve can then be removed, cleaned, then reinstalled.

8. Protect the electrical cord and air hose from damage (such as being stepped on or run over). Wind them loosely around the compressor handle. (If so equipped)

Store the air compressor in a clean and dry location.

TROUBLESHOOTING GUIDE

⚠WARNING PERFORMING REPAIRS MAY EXPOSE VOLTAGE SOURCES, MOVING PARTS OR COMPRESSED AIR SOURCES. PERSONAL INJURY MAY OCCUR. PRIOR TO ATTEMPTING ANY REPAIRS, UNPLUG THE AIR COMPRESSOR AND BLEED OFF ALL AIR TANK AIR PRESSURE.

PROBLEM	CAUSE	CORRECTION
Excessive tank pressure - safety valve pops off.	<p>Pressure switch does not shut off motor when compressor reaches "cut-out" pressure.</p> <p>Pressure switch "cut-out" too high.</p>	<p>Move the pressure switch lever to the "OFF" position. If the unit doesn't shut off, and the electrical contacts are welded together, replace the pressure switch.</p> <p>Contact an authorized service center to check and replace pressure switch.</p>
Air leaks at fittings.	Tube fittings are not tight enough.	Tighten fittings where air can be heard escaping. Check fittings with soapy water solution. DO NOT OVER-TIGHTEN.
Air leaks at or inside check valve.	Malfunctioning or dirty check valve.	A malfunctioning check valve results in a constant air leak at the pressure release valve when pressure is in the tank and the compressor is shut off. Drain tank then remove and clean or replace check valve. DO NOT OVER-TIGHTEN.
Air leaks at pressure switch release valve.	<p>Malfunctioning pressure switch release valve.</p> <p>Malfunctioning check valve.</p>	<p>Remove and replace the release valve.</p> <p>A malfunctioning check valve results in a constant air leak at the pressure release valve when pressure is in the tank and the compressor is shut off. Drain tank then remove and clean or replace check valve. DO NOT OVER-TIGHTEN.</p>
Air leaks in air tank or at air tank welds.	Damaged air tank.	<p>⚠WARNING DO NOT DRILL INTO, WELD OR OTHERWISE MODIFY AIR TANK OR IT WILL WEAKEN. THE TANK CAN RUPTURE OR EXPLODE. TANK MUST BE REPLACED.</p>
Air leaks between head and valve plate.	Leaking o-ring.	Torque head screws to 8 ft.-lbs. If this does not stop leak, replace o-ring.

PROBLEM	CAUSE	CORRECTION
<p>Pressure reading on the regulated pressure gauge drops when an accessory is used.</p>	<p>It is normal for “some” pressure drop to occur.</p>	<p>If there is an excessive amount of pressure drop when the accessory is used, adjust the regulator following the instructions on page 7.</p> <p>NOTE: Adjust the regulated pressure under flow conditions (while accessory is being used).</p>
<p>Motor will not run or restart.</p>	<p>Motor overload protection switch has tripped.</p> <p>Tank pressure exceeds pressure switch “cut-in” pressure.</p> <p>Wrong gauge wire or length of extension cord.</p> <p>Check valve stuck open.</p> <p>Loose electrical connections.</p> <p>Possible defective motor or starting capacitor.</p> <p>Paint spray on internal motor parts.</p> <p>Fuse blown, circuit breaker tripped.</p> <p>Pressure release valve on pressure switch has not unloaded head pressure.</p>	<p>Let motor cool off and overload switch will automatically reset.</p> <p>Motor will start automatically when tank pressure drops below “cut-in” pressure of pressure switch.</p> <p>Check for proper gauge wire and cord length.</p> <p>Remove and clean, or replace.</p> <p>Check wiring connection inside pressure switch and terminal box area.</p> <p>Contact an Authorized Warranty Service Center for inspection or replacement, if necessary.</p> <p>Have checked by an Authorized Warranty Service Center. Do not operate the compressor in the paint spray area. See flammable vapor warning.</p> <ol style="list-style-type: none"> 1. Check fuse box for blown fuse and replace, if necessary. Reset circuit breaker. Do not use a fuse or circuit breaker with higher rating than that specified for your particular branch circuit. 2. Check for proper fuse; only time delay fuses are acceptable. 3. Check for low voltage conditions and/or proper extension cord. 4. Disconnect the other electrical appliances from circuit or operate the compressor on its own branch circuit. <p>Bleed the line by pushing the lever on the pressure switch to the “off” position; if the valve does not open, replace it.</p>

PROBLEM	CAUSE	CORRECTION
Air leak from safety valve.	Possible defect in safety valve.	Operate safety valve manually by pulling on ring. If valve still leaks, it should be replaced.
Knocking Noise.	Defective check valve.	Remove and clean, or replace.
Compressor is not supplying enough air to operate accessories.	<p>Prolonged excessive use of air. Compressor is not large enough for air requirement.</p> <p>Restricted air intake filter.</p> <p>Hole in hose. Check valve restricted. Air leaks.</p>	<p>Decrease amount of air usage. Check the accessory air requirement. If it is higher than the SCFM or pressure supplied by your air compressor, you need a larger compressor.</p> <p>Clean or replace air intake filter. Do not operate the air compressor with the filter removed. See page 11.</p> <p>Check and replace if required. Remove and clean, or replace. Tighten fittings. (See Air Leaks Section of Troubleshooting Guide.)</p>
Regulator knob has continuous air leak. Regulator will not shut off air outlet.	<p>Pressure release valve on pressure switch has not unloaded head pressure. Damaged regulator.</p>	Replace regulator.

ACCESSORIES

Accessories can be found at the store the unit was purchased or at a local hardware store.

NOTES

LIMITED WARRANTY

PORTER-CABLE CORPORATION warrants to the original purchaser that each new air compressor and service part is free from defects in material and workmanship and agrees to repair or replace under this warranty any defective product or part as follows from the original date of purchase.

5 YEARS – Limited warranty on 2-stage oil-free air compressor **pumps** that operate at 1725 RPM and 1 year limited warranty on all other parts.

3 YEARS – Limited warranty on oil-lubricated air compressor **pumps** and 1 year limited warranty on all other parts.

1 YEAR – Limited warranty on all other air compressor products.

90 Day – Service parts

Engine warranties are the responsibility of the engine manufacturer. Warranties of merchandise sold by Porter-Cable which has been manufactured by and identified as the product of another company are the responsibility of the manufacturer of that product.

THIS WARRANTY IS NOT TRANSFERABLE AND DOES NOT COVER

- Products sold damaged or incomplete, sold “as is”, sold reconditioned or used as rental equipment.
- Delivery, installation or normal adjustments explained in the owner’s manual.
- Damage or liability caused by shipping, improper handling, improper installation, incorrect voltage or improper wiring, improper maintenance, improper modification, or the use of accessories and/or attachments not specifically recommended by PORTER-CABLE for the tool.
- Repairs necessary because of operator abuse or negligence, or the failure to install, operate, maintain and store the product according to the instructions in the owner’s manual.
- Damage caused by cold, heat, rain, excessive humidity, corrosive environments and materials, or other contaminants.
- Expendable items that become worn during normal use such as drain valves, fuses, filters, belts, air cleaners, spark plugs, engine oil and pump oil.
- Cosmetic defects that do not interfere with tool functionality.
- Freight costs from customer to Porter-Cable.
- Repair and transportation costs of products or parts determined not to be defective.
- **ANY INCIDENTAL, INDIRECT OR CONSEQUENTIAL LOSS, DAMAGE, OR EXPENSE THAT MAY RESULT FROM ANY DEFECT, FAILURE OR MALFUNCTION OF THE PRODUCT.** Some states do not allow the exclusion or limitation of incidental or consequential damages, so the above limitation or exclusion may not apply to you.
- **IMPLIED WARRANTIES, INCLUDING THOSE OF MERCHANTABILITY AND FITNESS FOR A PARTICULAR PURPOSE, ARE LIMITED TO ONE YEAR FROM THE DATE OF ORIGINAL PURCHASE.** Some states do not allow limitations on how long an implied warranty lasts, so the above limitations may not apply to you.

WARRANTY SERVICE is available by delivering or shipping the defective product or part to any Porter-Cable authorized warranty service location. To determine the nearest authorized warranty service location, call the toll free number, 1-888-559-8550, 24 hours a day, 7 days a week. Specific instructions regarding servicing arrangements and scheduling may vary depending on the type and size of the product and the availability of repair parts.

- DO NOT return the defective product to the retailer.
- Retain the original cash register sales receipt as proof of purchase for warranty work.
- Only Air compressors with 60 and 80 gallon tanks will be inspected at the site of installation.
- The customer should contact Porter-Cable directly if the purchaser does not receive satisfactory results from the authorized warranty service center.

PORTER-CABLE®

Porter-Cable Corporation
4825 Highway 45 North
P.O. Box 2468
Jackson, TN 38302-2468
1-888-559-8550

Manual de Instrucciones

MODELO
CPF6025VP

Compresor de Aire Portátil/ Estacionario de Lubricación Permanente



IMPORTANTE

Para obtener más información
sobre Porter-Cable,
visite nuestro sitio web en:
<http://www.porter-cable.com>

Asegúrese de que la persona que va a usar esta herramienta lea cuidadosamente y comprenda estas instrucciones antes de empezar a operarla.

PORTER-CABLE®
PROFESSIONAL POWER TOOLS

La placa de Modelo y de Número de Serie está localizada en la caja principal de la herramienta. Anote estos números en las líneas de abajo y guárdelos para su referencia en el futuro.

Número de modelo _____

Tipo _____

Número de serie _____

DEFINICIONES DE NORMAS DE SEGURIDAD

Este manual contiene información que es importante que usted conozca y comprenda. Dicha información se relaciona con la protección de **SU SEGURIDAD PERSONAL y LA PREVENCIÓN DE PROBLEMAS PARA SU EQUIPO**. A fin de ayudarlo a reconocer dicha información usamos los símbolos que se muestran a la derecha. Sirvase leer este manual y prestar atención a

PELIGRO

PELIGRO indica una situación de inminente riesgo, la cual, si no evitada, **causará la muerte o lesiones serias.**

CUIDADO

PRECAUCION indica una situación potencialmente peligrosa, la cual, si no es evitada, **podría resultar en lesiones menores.**

ADVERTENCIA

ADVERTENCIA indica una situación potencialmente riesgosa, que si no es evitada, **podría resultar en la muerte o lesiones serias.**

CUIDADO

PRECAUCION usado sin el símbolo de seguridad de alerta indica una situación potencialmente riesgosa la que, si no es evitada, **podría causar daños en la propiedad.**


Llame a nuestro **número telefónico gratuito 1-888-559-8550**, para obtener la ubicación del servicentro más cercano a fin de solicitar partes de reparación o las reparaciones cubiertas por la garantía.

Al requerir partes para reparación a su servicentro autorizado de servicio, suministre siempre la siguiente información:

- Número de modelo de su compresor
- Número de pieza y descripción del ítem que desea comprar.

Retenga el recibo original de compra como prueba de la misma para aquellos trabajos de reparación cubiertos por la garantía.

INSTRUCCIONES IMPORTANTES DE SEGURIDAD

 ADVERTENCIA Siempre que se utilicen herramientas eléctricas se deben seguir precauciones básicas de seguridad para reducir el riesgo de que se produzcan incendios, sacudidas eléctricas y lesiones personales, incluyendo las instrucciones que aparecen a continuación.

LEA Y SIGA TODAS LAS INSTRUCCIONES.

Esta herramienta se diseñó para determinadas aplicaciones. Porter-Cable recomienda encarecidamente que esta herramienta NO se modifique y/o que no se use para aplicaciones que no sean aquellas para las que se diseñó. Si tiene preguntas relacionadas con la aplicación que desea realizar, NO use la herramienta hasta que haya escrito a Porter-Cable y le hayamos dado recomendaciones.

Technical Service Manager
(Director de Servicio Técnico)
Porter-Cable Corporation
4825 Highway 45 North
P.O. Box 2468
Jackson, TN 38302-2468

INSTRUCCIONES IMPORTANTES DE SEGURIDAD (cont'd)



GUARDE ESTAS INSTRUCCIONES



ADVERTENCIA

La operación o el mantenimiento inadecuados de este producto podrían ocasionar serias lesiones y daños a la propiedad. Lea y comprenda todas las advertencias e instrucciones de funcionamiento antes de utilizar este equipo. El Manual del propietario debería permanecer todo el tiempo junto a la unidad.

PELIGRO

RIESGO DE EXPLOSIÓN O INCENDIO



¿QUÉ PUEDE OCURRIR?	¿CÓMO PREVENIRLO?
<p>PARA LOS CONTACTOS ELÉCTRICOS ES NORMAL LA EXISTENCIA DE CHISPAS ENTRE EL MOTOR Y EL INTERRUPTOR A PRESIÓN.</p> <p>SI LAS CHISPAS ELÉCTRICAS PROVENIENTES DEL COMPRESOR DE AIRE TOMARAN CONTACTO CON EMANACIONES DE MATERIALES INFLAMABLES, ELLOS PODRÍAN ARDER ORIGINANDO INCENDIO O EXPLOSIÓN.</p> <p>RESTRINGIR CUALQUIERA DE LAS ABERTURAS DE VENTILACIÓN CAUSARÁ UN SERIO RECALENTAMIENTO Y PODRÍA PRODUCIR UN INCENDIO.</p> <p>DEJAR DESATENDIDO ESTE PRODUCTO MIENTRAS EL MISMO ESTÁ EN FUNCIONAMIENTO PUEDE RESULTAR EN LESIONES PERSONALES O DAÑOS A LA PROPIEDAD.</p>	<p>OPERE SIEMPRE EL COMPRESOR DE AIRE EN UN SECTOR BIEN VENTILADO Y LIBRE DE MATERIALES COMBUSTIBLES, GASOLINA O EMANACIONES DE SOLVENTE.</p> <p>EN UN ÁREA DE ROCIADO DE MATERIALES INFLAMABLES, UBIQUE AL COMPRESOR DE AIRE POR LO MENOS A 6,1M (20 PIES) DE DISTANCIA DEL ÁREA DE ROCIADO. PODRÍA REQUERIRSE UNA EXTENSIÓN DE LA MANGUERA.</p> <p>ALMACENE LOS MATERIALES INFLAMABLES EN UNA UBICACIÓN SEGURA, ALEJADOS DEL COMPRESOR DE AIRE.</p> <p>JAMÁS COLOQUE OBJETOS APOYADOS O SOBRE EL COMPRESOR DE AIRE. OPERE EL COMPRESOR DE AIRE EN UN SECTOR ABIERTO, POR LO MENOS A 30 CM (12 PULGADAS) ALEJADOS DE CUALQUIER PARED U OBSTRUCCIÓN QUE RESTRINJA EL FLUJO DE AIRE FRESCO A LAS ABERTURAS DE VENTILACIÓN.</p> <p>OPERE EL COMPRESOR DE AIRE EN UN SECTOR LIMPIO, SECO, Y BIEN VENTILADO.. NO OPERE LA UNIDAD EN ESPACIOS CERRADOS O CUALQUIER ÁREA CONFINADA.</p>

RIESGO DE EXPLOSIÓN



TANQUE DE AIRE: LAS SIGUIENTES CONDICIONES PUEDEN DETERMINAR EL DEBILITAMIENTO DEL TANQUE, Y ORIGINAR UNA VIOLENTA EXPLOSIÓN DEL MISMO, SIENDO CAUSA DE DAÑOS A LA PROPIEDAD O LESIONES SERIAS.

¿QUÉ PUEDE OCURRIR?	¿CÓMO PREVENIRLO?
<ol style="list-style-type: none">DRENAJE INADECUADO DEL AGUA CONDENSADA EN EL TANQUE, SIENDO LA CAUSA DEL ÓXIDO QUE REDUCE EL ESPESOR DEL TANQUE DE ACERO.MODIFICACIONES O INTENTO DE REPARACIONES AL TANQUE.MODIFICACIONES NO AUTORIZADAS A LA VÁLVULA DE DESCARGA, VÁLVULA DE SEGURIDAD O CUALQUIER OTRO COMPONENTE QUE CONTROLE LA PRESIÓN DEL TANQUE.LA VIBRACIÓN EXCESIVA PUEDE DEBILITAR EL TANQUE DE AIRE Y CAUSAR SU RUPTURA O EXPLOSIÓN. DICHA VIBRACIÓN EXCESIVA OCURRIRÁ SI EL COMPRESOR DE AIRE NO ESTÁ ADECUADAMENTE MONTADO. <p>AGREGADOS Y ACCESORIOS</p> <p>EL EXCESO A LOS VALORES DE PRESIÓN ESTABLECIDOS PARA LA HERRAMIENTAS NEUMÁTICAS, PISTOLAS ROCIADORAS, ACCESORIOS ACTIVADOS POR AIRE, CUBIERTAS Y OTROS OBJETOS INFLABLES, PUEDE CAUSAR SU EXPLOSIÓN O SER ARROJADOS, PUDIENDO OCASIONAR SERIAS LESIONES.</p>	<p>DRENE EL TANQUE DIARIAMENTE O DESPUÉS DE CADA USO. SI EL TANQUE GENERA UNA PÉRDIDA, REEMPLÁCELO INMEDIATAMENTE CON UN NUEVO TANQUE O REEMPLACE EL COMPRESOR DE AIRE COMPLETO.</p> <p>JAMÁS PERFORE, SUELDE, O EFECTÚE MODIFICACIÓN ALGUNA AL TANQUE O SUS ACCESORIOS.</p> <p>EL TANQUE ESTÁ DISEÑADO PARA RESISTIR PRESIONES OPERATIVAS ESPECÍFICAS. JAMÁS EFECTÚE AJUSTES O SUSTITUYA PARTES QUE ALTEREN LAS REGULACIONES DE PRESIÓN ORIGINALES DE FÁBRICA.</p> <p>PARA UN CONTROL ESENCIAL DE LA PRESIÓN, DEBE USTED INSTALAR UN REGULADOR Y UN MEDIDOR DE PRESIÓN A LA SALIDA DEL AIRE DE SU COMPRESOR DE AIRE. SIGA LAS RECOMENDACIONES DE LOS FABRICANTES DE SU EQUIPO Y JAMÁS EXCEDA LOS VALORES MÁXIMOS DE PRESIÓN PERMITIDOS PARA LOS ACCESORIOS. JAMÁS USE EL COMPRESOR DE AIRE PARA INFLAR OBJETOS QUE REQUIEREN Poca O BAJA PRESIÓN, TALES COMO JUGUETES PARA LOS NIÑOS, PELOTAS DE FÚTBOL, PELOTAS DE BASQUET, ETC.</p>

INSTRUCCIONES IMPORTANTES DE SEGURIDAD (cont'd)

RIESGO DE OBJETOS ARROJADOS POR EL AIRE.



¿QUÉ PUEDE OCURRIR?	¿CÓMO PREVENIRLO?
<p>EL CHORRO DE AIRE COMPRIMIDO PUEDE CAUSAR DAÑOS SOBRE LOS TEJIDOS BLANDOS DE LA PIEL EXPUESTA, Y PUEDE PROPULSAR SUCIEDAD, ASTILLAS, PARTÍCULAS SUELTAS Y PEQUEÑOS OBJETOS A ALTA VELOCIDAD, OCASIONANDO DAÑOS A LA PROPIEDAD O LESIONES PERSONALES.</p>	<p>AL UTILIZAR EL COMPRESOR DE AIRE, USE SIEMPRE ANTEOJOS DE SEGURIDAD Z87.1 APROBADOS, CON PROTECCIÓN LATERAL.</p> <p>JAMÁS APUNTE NINGUNA BOQUILLA O PULVERIZADOR HACIA PARTES DEL CUERPO, A OTRAS PERSONAS O ANIMALES.</p> <p>APAGUE SIEMPRE EL COMPRESOR DE AIRE Y PURGUE LA PRESIÓN DE LA MANGUERA DEL AIRE Y DEL TANQUE, ANTES DE INTENTAR EL MANTENIMIENTO, EL ACOPLE DE HERRAMIENTAS O ACCESORIOS.</p>

RIESGO DE INHALACIÓN



¿QUÉ PUEDE OCURRIR?	¿CÓMO PREVENIRLO?
<p>EL AIRE COMPRIMIDO DE SU COMPRESOR DE AIRE ¡NO ES SANO PARA SER INHALADO! EL CHORRO DE AIRE PUEDE CONTENER MONÓXIDO DE CARBONO, EMANACIONES TÓXICAS O PARTÍCULAS SÓLIDAS PROVENIENTES DEL TANQUE.</p>	<p>OPERE SIEMPRE EL COMPRESOR DE AIRE DE AIRE EN UNA ZONA EXTERNA, LIMPIA Y BIEN VENTILADA. EVITE LAS ÁREAS CERRADAS TALES COMO GARAJES, SÓTANOS, ÁREAS CUBIERTAS DE ALMACENAJE, QUE CARECEN DE CONTINUO RECAMBIO DE AIRE. MANTENGA ALEJADOS A LO NIÑOS, ANIMALES DOMÉSTICOS Y OTROS FUERA DEL SECTOR DE OPERACIONES.</p> <p>JAMÁS INHALE EL AIRE PROVENIENTE DEL COMPRESOR DE AIRE TANTO DIRECTAMENTE O DESDE UN RESPIRADOR INSTALADO AL COMPRESOR DE AIRE.</p>
<p>EL ROCIADO DE MATERIALES TALES COMO PINTURA, SOLVENTES, REMOVEDORES DE PINTURA, INSECTICIDAS, MATA HIERBAS, CONTIENEN EMANACIONES DAÑINAS Y VENENOSAS.</p>	<p>TRABAJE EN UN ÁREA CON BUENA VENTILACIÓN CRUZADA. LEA Y SIGA LAS INSTRUCCIONES DE SEGURIDAD PROVISTAS EN EL RÓTULO O EN LOS DATOS DE LAS HOJAS DE SEGURIDAD DEL MATERIAL QUE ESTÁ PULVERIZANDO. USE EL RESPIRADOR APROBADO NIOSH/MSHA DESIGNADO PARA UTILIZARSE CON SU APLICACIÓN ESPECÍFICA.</p>

RIESGO DE DESCARGA ELÉCTRICA



¿QUÉ PUEDE OCURRIR?	¿CÓMO PREVENIRLO?
<p>SU COMPRESOR DE AIRE ESTÁ ACCIONADO POR ELECTRICIDAD. COMO CUALQUIER OTRO DISPOSITIVO ELÉCTRICO IMPULSADO ELÉCTRICAMENTE, SI NO SE LO UTILIZA ADECUADAMENTE, PODRÍA CAUSARLE UNA DESCARGA ELÉCTRICA.</p>	<p>JAMÁS OPERE EL COMPRESOR DE AIRE A LA INTemperIE CUANDO ESTÁ LLOVIENDO O EN CONDICIONES DE HUMEDAD.</p>
<p>LAS REPARACIONES INTENTADAS POR PERSONAL NO CALIFICADO PODRÍAN OCASIONAR SERIAS LESIONES O LA MUERTE POR ELECTROCUCIÓN.</p>	<p>NUNCA OPERE EL COMPRESOR DE AIRE SIN SUS DEFENSAS O SUS CUBIERTAS REMOVIDAS O DAÑADAS.</p>
<p>CONEXIÓN A TIERRA: DEJAR DE PROVEER UNA ADECUADA CONEXIÓN A TIERRA A ESTE PRODUCTO PODRÍA OCASIONAR LESIONES SERIAS O LA MUERTE POR ELECTROCUCIÓN. VER INSTRUCCIONES PARA LA PUESTA A TIERRA.</p>	<p>CUALQUIER CONEXIÓN ELÉCTRICA O REPARACIÓN REQUERIDA POR ESTE PRODUCTO DEBE SER EFECTUADA POR PERSONAL AUTORIZADO DE LOS SERVICIOS DE ACUERDO A LOS CÓDIGO ELÉCTRICOS NACIONALES Y LOCALES.</p>
	<p>ASEGÚRESE QUE EL CIRCUITO ELÉCTRICO AL CUAL ESTÁ CONECTADO EL COMPRESOR DE AIRE, SUMINISTRA APROPIADA CONEXIÓN A TIERRA, TENSIÓN CORRECTA Y UNA ADECUADA PROTECCIÓN DE FUSIBLES.</p>

INSTRUCCIONES IMPORTANTES DE SEGURIDAD (cont'd)

RIESGO DE PARTES MÓVILES



¿QUÉ PUEDE OCURRIR?

PARTES MOVIBLES TALES COMO LA POLEA, EL VOLANTE Y LA CORREA PODRÍAN SER LA CAUSA DE **SERIAS LESIONES** SI ELLAS ENTRARAN EN CONTACTO CON USTED O SUS ROPAS.

INTENTAR OPERAR EL COMPRESOR DE AIRE CON SUS PARTES DAÑADAS O FALTANTES, O LA REPARACIÓN DEL COMPRESOR DE AIRE CON SUS PROTECCIONES REMOVIDAS, PUEDE EXPONERLO A USTED A PARTES MOVIBLES, QUE PODRÍAN RESULTAR EN LESIONES SERIAS.

¿CÓMO PREVENIRLO?

NUNCA OPERE EL COMPRESOR DE AIRE SIN SUS DEFENSAS O SUS CUBIERTAS REMOVIDAS O DAÑADAS.

CUALQUIER REPARACIÓN REQUERIDA POR ESTE PRODUCTO DEBE SER EFECTUADA POR PERSONAL AUTORIZADO DE LOS SERVICENTROS.

RIESGO DE QUEMADURAS



¿QUÉ PUEDE OCURRIR?

TOCAR EL METAL EXPUESTO TAL COMO EL CABEZAL DEL COMPRESOR DE AIRE O LOS TUBOS DE SALIDA DEL ESCAPE, PUEDEN OCASIONARLE SERIAS QUEMADURAS.

¿CÓMO PREVENIRLO?

JAMÁS TOQUE PARTES DE METAL EXPUESTAS, EL COMPRESOR DE AIRE DURANTE O INMEDIATAMENTE DESPUÉS DE LA OPERACIÓN. EL COMPRESOR DE AIRE PERMANECERÁN CALIENTES POR VARIOS MINUTOS LUEGO DE LA OPERACIÓN.

NO LO CUBRA CON FUNDAS PROTECTORAS O INTENTE EL MANTENIMIENTO HASTA QUE LA UNIDAD HAYA ALCANZADO SU ENFRIAMIENTO.

RIESGO DE CAIDAS



¿QUÉ PUEDE OCURRIR?

UN COMPRESOR PORTÁTIL PUEDE CAER DESDE UNA MESA, BANCO DE TRABAJO O EL TECHO CAUSANDO DAÑO AL COMPRESOR Y TAMBIÉN PUDIENDO CAUSAR SERIAS LESIONES O LA MUERTE DEL OPERADOR O LOS ESPECTADORES.

¿CÓMO PREVENIRLO?

OPERE SIEMPRE EL COMPRESOR DE AIRE EN UNA POSICIÓN ESTABLE Y SEGURA A FIN DE PREVENIR EL MOVIMIENTO ACCIDENTAL DE LA UNIDAD. **JAMÁS OPERE EL COMPRESOR DE AIRE SOBRE UN TECHO U OTRA POSICIÓN ELEVADA. UTILICE MANGUERAS ADICIONALES DE AIRE PARA ALCANZAR POSICIONES ALTAS.**

RIESGO DE DAÑOS A LA PROPIEDAD AL TRANSPORTAR EL COMPRESOR DE AIRE

(Fuego, inhalación, daño a la superficie de vehículos)



¿QUÉ PUEDE OCURRIR?

EL ACEITE PUEDE DERRAMARSE Y ELLO PODRÍA RESULTAR EN SERIAS LESIONES O LA MUERTE DEBIDO AL RIESGO DE INCENDIO O INHALACIÓN. EL DERRAME DE ACEITE DAÑA ALFOMBRAS, PINTURAS U OTRAS SUPERFICIES DE VEHÍCULOS O REMOLQUES.

¿CÓMO PREVENIRLO?

DEPOSITE EL COMPRESOR DE AIRE SOBRE UNA ALFOMBRILLA PROTECTORA CUANDO LO TRANSPORTE. A FIN DE PROTEGER AL VEHÍCULO DE PÉRDIDAS POR GOTEÓ. RETIRE EL COMPRESOR DE AIRE DEL VEHÍCULO INMEDIATAMENTE DESPUÉS DE SU ARRIBO AL DESTINO.

GLOSARIO

CFM: Pies cúbicos por minuto.

SCFM: Pies cúbicos estándar por minuto; una unidad de medida del aire producido.

PSIG: Libras por pulgada cuadrada leídas en el manómetro, una unidad de medida de presión.

ASME: American Society of Mechanical Engineers (Sociedad Americana de Ingenieros Mecánicos); hecho, probado, inspeccionado y registrado para cumplir con los estándares de ASME.

Código de California: La unidad cumple con el Código 462 (I) (2)/(M) (2) de California. En unidades que cumplen con el Código de California, el rótulo de especificaciones/modelo se encuentra en el costado del tanque.

Presión de Arranque: Cuando el motor está apagado, la presión de aire va disminuyendo conforme usted continúa usando el accesorio. Cuando la presión del tanque cae a cierto bajo nivel, el motor arranca automáticamente. Esa baja presión a la cual el motor arranca automáticamente, se llama "presión de arranque".

Presión de Corte: Cuando usted arranca el compresor de aire y empieza a funcionar, el aire dentro del tanque comienza a acumularse hasta cierto nivel de presión a la cual el motor se apaga automáticamente para proteger su tanque de aire de presiones que exceden su capacidad. La presión a la cual el motor se apaga se llama "presión de corte".

Código de certificación: los productos que ostentan uno o más de las marcas siguientes: UL, CUL, ETL, CETL, han sido evaluados por Laboratorios certificados independientes de seguridad OSHA, y alcanzado los estándares de seguridad requeridos.

CICLO DE TRABAJO

Los compresores de aire de Porter-Cable deben utilizarse a no más de un ciclo de servicio del 50%. Esto significa que un compresor de aire que bombea aire durante más del 50% de una hora se considera que está siendo mal usado porque el compresor de aire está subdimensionado para la demanda. El tiempo máximo de bombeo de un compresor de aire en una hora es 30 minutos.

ESPECIFICACIONES

Model No.	CPF6025VP
Potencia Peak	6,0
Orificio	2,375"
Carrera del Pistón	1,35"
* Tensión/Hz/Fase	120/60/1
** Requerimiento Mínimo de Conexión	15 A
* Tipo de Fusible	fusibles de retardo
Amperaje a carga máx.	15A
Capacidad del Tanque de Aire (galones)	25
Presión de Arranque Aproximada	110 PSIG
Presión de Corte Aproximada	135 PSIG
SCFM @ 40 PSIG	8,3
SCFM @ 90 PSIG	5,8

* **⚠ CUIDADO** Estos compresores pueden operar en un circuito de 15 Amp. si:

1. El suministro de voltaje al circuito es normal.
2. El circuito no se usa para suministrarle electricidad a otras cargas (luces, artefactos, etc.)
3. Cordones de extensión cumplen con las especificaciones indicadas en el manual de instrucciones.
4. El circuito está equipado con interruptor de circuito de 15 Amp. o un fusible de retardo de 15 Amp.

Puede ser necesario operar el compresor desde un circuito de 20 Amp., si no puede cumplirse alguna de las condiciones mencionadas arriba o si la operación del compresor causa interrupciones de energía repetidas. No es necesario cambiar el juego de cables.

- * Es preferible usar un interruptor de circuitos. Use únicamente un fusible o interruptor automático de circuito que esté especificado para el ramal en el cual esta operando el compresor de aire. Usar fusibles de retardo de doble elemento si el circuito al que está conectado el compresor de aire está protegido con fusibles.

DESCRIPCIÓN DE LA OPERACIÓN

Válvula de Drenaje (no se muestra): La válvula de drenaje está ubicada en la base del tanque de aire y se usa después de cada aplicación para drenar la condensación.

Protector Térmico de Sobrecarga del Motor (no se muestra): El motor eléctrico tiene un protector térmico de sobrecarga con reposición automática. Si el motor se recalienta por cualquier razón, el protector térmico apaga el motor. Debe permitirse que el motor se enfríe antes de volverlo a arrancar.

Interruptor "ON/Auto-OFF" (A) Fig. 1: Colocar este interruptor en la posición de "ON" para activar el interruptor de presión, y en "OFF" para quitarle la energía.

Filtro de Entrada de Aire: Este filtro está diseñado para limpiar el aire que entra a la bomba. Este filtro siempre **debe** estar limpio y libre de obstrucciones. Ver "Mantenimiento".

Bomba del Compresor de Aire (no se muestra):

: Para comprimir aire, el pistón se mueve de arriba a abajo en el cilindro. En la carrera hacia abajo, el aire ingresa por las válvulas de admisión. La válvula de salida permanece cerrada. Cuando el pistón corre hacia arriba, el aire se comprime. Las válvulas de admisión se cierran y el aire comprimido es forzado a salir por las válvulas de salida a través del tubo de salida por la válvula de chequeo hacia el tanque de aire. El aire no está disponible para trabajar hasta que el compresor eleve la presión en el tanque por encima de lo requerido en el punto de salida de aire.

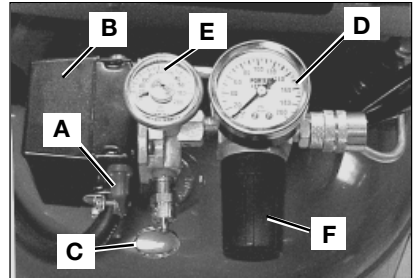


Fig. 1

Válvula de Chequeo (no se muestra): Cuando el compresor de aire está operando, la válvula está abierta, permitiendo que el aire comprimido entre al tanque. Cuando el compresor de aire llegue a la "presión de corte", la válvula de chequeo se "cierra", haciendo que el aire permanezca dentro del tanque de aire.

Válvula de Alivio de Presión (no se muestra): La válvula de alivio de presión que se encuentra al lado del interruptor de presión, está diseñada para dejar escapar aire comprimido del cabezal del compresor automáticamente y del tubo de salida cuando el compresor de aire alcance la presión de "corte" o se apague. La válvula de alivio de presión le permite al motor volver a arrancar libremente. Cuando el motor deja de funcionar, se escucha escapar aire de la válvula por algunos segundos. No deben escucharse fugas de aire cuando el motor esté funcionando ni que continúe escapando aire después que la unidad haya alcanzado la presión de corte.

Interruptor de Presión (B) Fig. 1: El interruptor de presión arranca el motor automáticamente cuando la presión cae por debajo del nivel de presión de "arranque" fijado en la fábrica. También apaga el motor cuando la presión del tanque de aire alcanza el nivel de "corte" fijado en la fábrica.

Válvula de Seguridad (C) Fig. 1: Si el interruptor de presión no apaga el compresor de aire en la presión de corte prefijada, la válvula de seguridad protegerá el tanque contra la alta presión activándose a la presión prefijada en fábrica (ligeramente más alta que la presión de corte fijada).

Medidor de Presión de Salida (D) Fig. 1: El medidor de la presión de salida indica la presión en la salida del regulador. Esta presión está controlada por el regulador y es siempre menor o igual que la del tanque de presión.

Medidor de Presión del Tanque (E) Fig. 1: El medidor de presión del tanque indica la presión del aire de reserva dentro del tanque.

Regulador (F) Fig. 1: La presión de aire proveniente del tanque de aire está controlada por la perilla del regulador. Girar la perilla en el sentido del reloj para aumentar la presión y contra el sentido del reloj para reducir la presión. Para evitar reajustes menores después de hacer cambios en la presión fijada, siempre llegar a una presión superior a la deseada desde un nivel inferior de presión. Cuando se reduce la presión, siempre bajarla más abajo del nivel deseado y luego 4. Instalar un perno tope y una tuerca en cada rueda usando los orificios **inferiores**. Ajustar firmemente. El equipo se nivelará si las ruedas se instalan apropiadamente.

DESCRIPCIÓN DE LA OPERACIÓN

Montaje Del Compresor de Aire (Fig. 2)

⚠ ADVERTENCIA LAS RUEDAS Y EL ASA NO PROVEEN SUFICIENTE ESPACIO LIBRE, ESTABILIDAD NI SOPORTE PARA SUBIR Y BAJAR ESCALERAS O ESCALONES RODANDO LA UNIDAD. LA UNIDAD DEBE LEVANTARSE O RODARSE POR UNA RAMPA.

⚠ CUIDADO Al instalar las ruedas y el pie de caucho, puede ser necesario fijar o sujetar un lado del equipo, porque el compresor tiende a voltearse.

1. Insertar el perno con hombro (C) en la rueda (B) y luego en el orificio inferior agujero del soporte de montaje (le moyeu en saillie vers l'intérieur). Enrosque la tuerca (A) en el perno de resalto y apriétela firmemente con una llave de tuerca de 9/16" (14mm). Repita el procedimiento para instalar la segunda rueda.
2. Coloque la zapata de goma (D) en la base del soporte de la rueda, utilizando los tornillos (E) provistos.

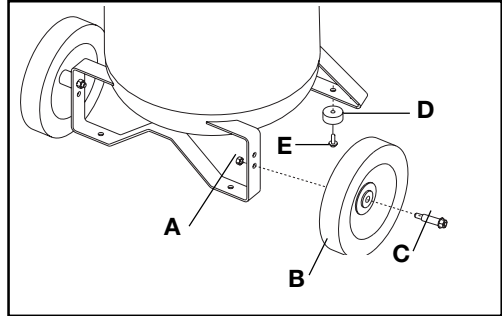


Fig. 2

Ubicación del Compresor de Aire

Ubicar el compresor de aire en un área limpia, seca y bien ventilada. El filtro de aire debe mantenerse libre de obstrucciones que puedan reducir el suministro de aire al compresor. El compresor de aire debe ubicarse a por lo menos 12" (30.5 cm) de distancia de las paredes o de cualquier obstrucción que pueda interferir con el flujo de aire. El cabezal y la cubierta del compresor de aire están diseñados para permitir el enfriamiento adecuado. Si la humedad fuese alta, se puede instalar un filtro en el adaptador de salida de aire para eliminar el exceso de humedad. Para una instalación adecuada, seguir cuidadosamente las instrucciones provistas con el filtro de aire.

Aceite y Lubricación

Esta unidad no necesita aceite ni lubricación. Cables de Extensión

Para evitar la caída de voltaje, pérdida de potencia del motor y el sobre calentamiento, usar una manguera más larga en vez de cordón de extensión. Un voltaje bajo puede causar daño al motor.

Si se *hace necesario* usar un cordón de extensión:

- Utilizar sólo cordones de extensión de 3 alambres y enchufe con espiga para conexión a tierra y un tomacorriente que acepte el enchufe de la unidad.
- Asegurarse que el cordón de extensión esté en buenas condiciones.
- El cordón de extensión no debe tener más de 15.25 m (50') de largo.
- El cable más delgado es calibre 12 (AWG). (El grosor del cable es mayor cuanto menor sea su número, también pueden usarse cordones de calibre 10 AWG y 8 AWG. NO USAR CORDONES DE CALIBRE 14 NI 16 AWG.)

Voltaje y Protección de los Circuitos

Para los requerimientos de protección de voltaje y circuitos del compresor, referirse al Manual de Lista de Repuestos. Use únicamente un fusible o interruptor automático de circuito que esté especificado para el ramal en el cual esta operando el compresor de aire. Si el compresor de aire está conectado a un circuito protegido por fusibles, usar únicamente fusibles de retardo

Tuberías

⚠️ ADVERTENCIA Los tubos de plástico o PVC no están diseñados para usarse con aire comprimido. A pesar que las especificaciones de presión sean las adecuadas. Usar únicamente tubos de metal o líneas para distribución de aire.

Si fuese necesaria una tubería, usar un tubo que sea del mismo diámetro que la salida del tanque de aire. Los tubos de menor diámetro restringirán el flujo de aire. Si la tubería es de más de 100 pies de largo, usar tubería del siguiente diámetro más grande. Para instalación subterránea, enterrar las líneas por debajo del nivel de congelamiento y evitar vacíos donde la condensación pueda acumularse y congelarse. Aplicarle presión a las líneas subterráneas antes de tapparlas para asegurarse que las uniones no tengan fugas.

Para aislar las vibraciones, se recomienda instalar acoples flexibles entre la válvula de descarga de aire y la línea principal de distribución.

INSTRUCCIONES PARA CONECTAR A TIERRA

⚠️ PELIGRO ¡RIESGO DE CHOQUE ELÉCTRICO! En caso de cortocircuito, la conexión a tierra reduce el riesgo de choque eléctrico proveyendo a la corriente de un cable de escape. Este compresor de aire debe conectarse a tierra apropiadamente.

El compresor de aire portátil está equipado con un cordón que tiene un alambre para conectar a tierra y un enchufe adecuado para tierra. El enchufe debe conectarse a un tomacorriente instalado a tierra de acuerdo con los códigos y ordenanzas locales. El tomacorriente debe tener la misma configuración que el enchufe. Ver la Fig. 3. **NO USAR ADAPTADORES.**

Inspeccionar el cordón y el enchufe antes de cada uso. No usarlo si muestra señas de estar dañado.

⚠️ PELIGRO LA CONEXIÓN INADECUADA A TIERRA PUEDE CAUSAR CHOQUE ELÉCTRICO

No modificar el enchufe que se ha provisto. Si no encaja en el tomacorriente disponible, un electricista calificado debe instalar un tomacorriente adecuado.

Si se va a reparar o reemplazar el cordón o enchufe, el alambre para tierra debe mantenerse separado de los alambres conductores de corriente. Nunca conectar el alambre para tierra a una espiga plana del enchufe. El alambre para tierra tiene aislamiento de color verde que puede tener franjas amarillas.

Si no se entienden estas instrucciones completamente, o si se tienen dudas en cuanto a que el compresor esté conectado a tierra apropiadamente, hacer verificar la instalación por un electricista calificado.

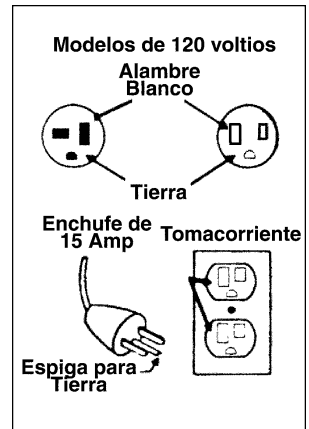


Fig. 3

Controles y Reguladores Adicionales

Debido a que la presión en el tanque de aire normalmente es mayor a la que se necesita, usualmente se usa un regulador separado para controlar la presión de aire antes de la entrada al dispositivo o herramienta que se conecte.

Procedimientos para el Asentamiento

⚠ CUIDADO Si no se observan las instrucciones para el asentamiento abajo indicadas, se pueden causar serios daños.

Este procedimiento es requerido antes de que el compresor de aire sea puesto en servicio. (antes de instalar la manguera), se reemplaza la válvula de retención o se reemplaza la bomba completa del compresor

El procedimiento:

1. Asegurar que la palanca del interruptor de presión se encuentre en la posición "OFF".
 2. Enchufar el cable de alimentación en el receptáculo correcto del ramal correspondiente.
 3. Abrir completamente el paso de la válvula de drenaje para permitir el escape del aire e impedir la elevación de la presión en del tanque durante el período de asentamiento.
 4. Mover la palanca del interruptor de presión a "ON/AUTO". El compresor arrancará.
 5. Hacer marchar al compresor durante 15 minutos. Asegurar que la válvula de drenaje esté abierta y que haya mínima presión dentro del tanque.
 6. Cerrar la válvula de drenaje.
 7. Mover la palanca del interruptor de presión a "ON/AUTO". El receptor de aire permitirá el aumento de la presión hasta su punto de corte, y el motor se detendrá.
- El compresor está ahora listo para ser usado.

PROCEDIMIENTOS PARA OPERAR

1. Antes de conectar una manguera de aire o accesorios, asegurarse que la palanquita de «OFF/AUTO» (Apagado/Automático) esté en «OFF», y que el regulador de aire o válvula de corte esté cerrada.
2. Conectar la manguera y los accesorios.

⚠ ADVERTENCIA EL EXCESO DE PRESIÓN DE AIRE GENERA RIESGOS DE EXPLOSIÓN. VERIFICAR LAS ESPECIFICACIONES DE PRESIÓN MÁXIMA PARA LAS HERRAMIENTAS Y ACCESORIOS. EL REGULADOR DE LA PRESIÓN DE SALIDA NUNCA DEBE EXCEDER LA CAPACIDAD MÁXIMA ESTIPULADA.

3. Colocar la palanquita del interruptor «OFF/AUTO» en la posición de "AUTO" y permitir que el tanque acumule presión. El motor se detendrá cuando la presión llegue al nivel de corte.
4. Abrir el regulador girándolo en el sentido del reloj. Ajustar el regulador a la presión correcta. El compresor está listo para usarse.
5. Siempre operar el compresor de aire en áreas bien ventiladas, libres de vapores de gasolina y de otros solventes. No operar el compresor cerca del área de pulverizado.

Al Terminar:

6. Mover la palanquita del interruptor «OFF/AUTO» a la posición de "OFF".
7. Girar el regulador en contra del sentido del reloj y colocar la presión de salida en cero.
8. Retirar la herramienta neumática o accesorio.
9. Abra el regulador y deje que el aire salga lentamente desde el tanque. Cierre el regulador cuando la presión del tanque sea de aproximadamente 20 psi.
10. Abrir la válvula de drenaje en la parte inferior del tanque para eliminar toda la humedad del tanque.

⚠ ADVERTENCIA EL AGUA DEL AIRE SE CONDENSARÁ DENTRO DEL TANQUE DE AIRE Y SI NO SE DRENA, EL AGUA CORROERÁ Y DEBILITARÁ EL TANQUE DE AIRE CAUSANDO UN RIESGO DE RUPTURA.

11. Después de drenar el agua, cerrar la válvula de drenaje. Ahora se puede guardar el compresor.

NOTA

Si la válvula de drenaje se obstruye, soltar toda la presión de aire. Luego se puede desmontar la válvula, limpiarla y volverla a instalar.

MANTENIMIENTO

⚠ PELIGRO LA UNIDAD CICLA AUTOMÁTICAMENTE CUANDO ESTÁ EN MARCHA. DURANTE EL MANTENIMIENTO SE ESTÁ EXPUESTO A FUENTES DE TENSIÓN, AIRE COMPRIMIDO, PARTES EN MOVIMIENTO O SUPERFICIES CALIENTES. PUEDEN OCURRIR LESIONES. DESENCHUFAR LA UNIDAD, PURGAR LA PRESIÓN DEL TANQUE DE AIRE Y PERMITIR ENFRIAR LA UNIDAD ANTES DE REALIZAR CUALQUIER MANTENIMIENTO O REPARACIÓN. JAMÁS OPERAR LA UNIDAD SIN LA PROTECCIÓN PARA LA CORREA.

Para asegurar la operación eficiente y una larga vida útil de la unidad compresora de aire, se debe preparar y seguir un programa de mantenimiento. El siguiente programa de mantenimiento está orientado a una unidad en un ambiente normal de trabajo y que opere diariamente. Si fuese necesario, el programa debe modificarse de acuerdo a las condiciones bajo las cuales se usa el compresor. Las modificaciones dependerán de las horas de operación y ambiente de trabajo. Los compresores que operen en ambientes extremadamente sucios y/u hostiles, requerirán que se les hagan todas las inspecciones de mantenimiento con mayor frecuencia.

Program de Mantenimiento Rutinario

Diario:

1. Abra el regulador y deje que el aire salga lentamente desde el tanque. Cierre el regulador cuando la presión del tanque sea de aproximadamente 20 psi.
2. Drenar el agua del tanque de aire, de cualquier separador de humedad o transformador.
3. Detectar cualquier ruido y/o vibración inusual.
4. Inspeccionar manualmente todas las válvulas de seguridad para asegurarse que estén operando apropiadamente.
5. Inspeccionar el filtro de aire, reemplazar si fuese necesario.
6. Inspeccionar los acoples y tuberías para detectar fugas, reparar si fuese necesario.

Cada Año de Operación o si se Sospecha de Algún Problema:

Verificar las condiciones de las válvulas de entrada y salida de la bomba del compresor de aire. Reemplazar si se encuentran dañadas o gastadas.

INSTRUCCIONES PARA EL SERVICIO

Filtro de Aire - Inspección y Reemplazo

Mantener el filtro de aire limpio en todo momento. No operar el compresor sin el filtro de aire. Un filtro sucio impedirá que el compresor opere a máxima capacidad. Verificar que el filtro de aire esté limpio antes de usar el compresor. Si estuviere sucio, simplemente sacarlo. Puede lavarse con una solución de agua tibia ligeramente jabonosa, o reemplazarse.

Válvula de Chequeo - Reemplazo

⚠ ADVERTENCIA SI LA VÁLVULA DE SEGURIDAD NO FUNCIONA APROPIADAMENTE, EL TANQUE PUEDE SOBRECARGARSE DE PRESIÓN Y ROMPERSE O REVENTAR. DIARIAMENTE HALAR EL ANILLO EN LA VÁLVULA DE SEGURIDAD PARA ASEGURARSE QUE LA VÁLVULA OPERE LIBREMENTE. SI LA VÁLVULA SE ATRACA O NO OPERA CON SUAVIDAD, DEBE REEMPLAZARSE POR OTRA DEL MISMO TIPO.

1. Drenar toda la presión de aire del tanque. Desconectar el compresor.
2. Retirar la cubierta.
3. Aflojar las tuercas superiores e inferiores del tubo de salida y retirarlo.
4. Retirar el tubo de alivio de presión y acople.
5. Sacar la válvula de chequeo desenroscándola (contra el sentido del reloj) usando una llave dado.
6. Verificar que el disco de la válvula de chequeo se mueva libremente y que el resorte mantenga el disco en la posición superior de cierre. La válvula de chequeo puede limpiarse con un solvente fuerte.

7. Aplicar sellador a la rosca de la válvula de chequeo. Reinstalar la válvula de chequeo (girar en el sentido del reloj).
8. Volver a colocar el tubo de alivio de presión y el acople.
9. Volver a colocar el tubo de salida y ajustar las tuercas superior e inferior.
10. Volver a colocar la cubierta.

Motor

El motor tiene un protector térmico de sobrecarga con reposición automática. Si el motor recalienta por cualquier razón, el protector de sobrecarga apagará el motor. Debe permitirse que el motor se enfríe antes de volverlo a arrancar. El compresor arrancará automáticamente cuando el motor se haya enfriado.

Si el protector de sobrecarga apaga el motor con frecuencia, buscar un posible problema de voltaje. También se puede sospechar de bajo voltaje cuando:

1. El motor no alcanza la máxima velocidad o potencia.
2. Se queman los fusibles al arrancar el motor o si la intensidad de las luces disminuye y permanece baja una vez que el motor ha arrancado y esté funcionando.

Motor - Diagrama de Cables para el Reemplazo

El diagrama de conexiones del motor se encuentra ubicado en el costado del motor.

ALMACENAJE

Antes de guardar el compresor de aire, asegurarse de hacer lo siguiente:

1. Leer las secciones de “Mantenimiento” y «Procedimiento para Operar» en las páginas precedentes y hacer el mantenimiento según fuese necesario.
2. Mover la palanquita del interruptor «OFF/AUTO» a la posición de “OFF”.
3. Girar el regulador en contra del sentido del reloj y colocar la presión de salida en cero.
4. Retirar la herramienta neumática o accesorio.
5. Abra el regulador y deje que el aire salga lentamente desde el tanque. Cierre el regulador cuando la presión del tanque sea de aproximadamente 20 psi.
6. Abrir la válvula de drenaje en la parte inferior del tanque para eliminar toda la humedad del tanque.

⚠ ADVERTENCIA EL AGUA DEL AIRE SE CONDENSARÁ DENTRO DEL TANQUE DE AIRE Y SI NO SE DRENA, EL AGUA CORROERÁ Y DEBILITARÁ EL TANQUE DE AIRE CAUSANDO UN RIESGO DE RUPTURA.

7. Después de drenar el agua, cerrar la válvula de drenaje. Ahora se puede guardar el compresor.

NOTA

Si la válvula de drenaje se obstruye, soltar toda la presión de aire. Luego se puede desmontar la válvula, limpiarla y volverla a instalar.

8. Proteger el cordón eléctrico y manguera neumática para que no sufran daños (tales como pisarlos o pasar por encima). Enrollarlos alrededor del asa del compresor, pero sin ajustarlos. Guardar el compresor de aire en un lugar seco y limpio.

GUÍA PARA DIAGNÓSTICO DE PROBLEMAS

⚠ ADVERTENCIA AL HACER EL MANTENIMIENTO PUEDEN QUEDAR EXPUESTAS LAS FUENTES DE VOLTAJE, PARTES MOVIBLES O FUENTES DE AIRE COMPRIMIDO. PUEDEN CAUSAR DAÑOS PERSONALES. ANTES DE INTENTAR HACER REPARACIONES, DESCONECTAR EL SUMINISTRO DE ENERGÍA AL COMPRESOR DE AIRE Y ALIVIAR LA PRESIÓN DE AIRE DEL TANQUE.

PROBLEMA	CAUSA	SOLUCIÓN
Presión excesiva en el tanque. La válvula de presión salta.	<p>El interruptor de presión no apaga el motor cuando la presión alcanza el nivel de "corte".</p> <p>El nivel de la presión de "corte" está muy alto.</p>	<p>Mover la palanquita del interruptor de presión a la posición de "OFF". Si la unidad no se apaga desenchufarla. Si los contactos eléctricos se han fundido y pegado, reemplazar el interruptor de presión.</p> <p>Devolver la unidad a un distribuidor autorizado para que verifique y reemplace el interruptor.</p>
Fuga de aire por las uniones.	Los acoples del tubo no están lo suficientemente ajustados.	Ajustar los acoples donde se escuche que el aire escapa. Verificar las uniones con una solución de agua jabonosa. NO SOBREAJUSTAR.
Fugas de aire en o alrededor de la válvula de chequeo.	Funcionamiento inadecuado o válvula de retención sucia.	Una válvula de chequeo defectuosa produce constantes fugas de aire por la válvula de alivio de presión cuando hay presión en el tanque y el compresor está apagado. Drenar el tanque, retirar la válvula, limpiarla o reemplazarla. NO SOBREAJUSTAR.
Fugas de aire por el interruptor de presión de la válvula de alivio o desfogue.	<p>Funcionamiento inadecuado de la válvula reguladora de presión.</p> <p>Funcionamiento inadecuado de la válvula de retención.</p>	<p>Reemplazar la válvula.</p> <p>Una funcionamiento inadecuado de la válvula de retención. produce constantes fugas de aire por la válvula de alivio de presión cuando hay presión en el tanque y el compresor está apagado. Drenar el tanque, retirar la válvula, limpiarla o reemplazarla. NO SOBREAJUSTAR.</p>
Fugas por las soldaduras del tanque de aire.	Tanque de aire dañado.	<p>Reemplazar el tanque de aire. No reparar la fuga.</p> <p>⚠ ADVERTENCIA NO PERFORAR, SOLDAR, NI MODIFICAR EL TANQUE DE AIRE EN FORMA ALGUNA PORQUE SE DEBILITARÁ Y PUEDE ROMPERSE O EXPLOTAR. EL TANQUE DEBE REEMPLAZARSE.</p>
Fugas de aire entre el cabezal y la placa de la válvula.	Fugas por el anillo "O".	Ajustar los pernos del cabezal a 8 pies-lbs. Si ésto no detiene la fuga, reemplazar el anillo "O".
La presión en el medidor del regulador cae cuando se conecta un accesorio.	Es normal que ocurra una "ligera" caída de presión.	<p>Si hay una caída de presión excesiva cuando se conecta un accesorio, ajustar el regulador siguiendo las instrucciones de la página 25.</p> <p>NOTA</p> <p>Regular la presión bajo condiciones de flujo (mientras se usa el accesorio).</p>

PROBLEMA	CAUSA	SOLUCIÓN
El motor no funciona o no vuelve a arrancar.	El interruptor de protección de sobrecarga ha saltado.	Dejar que el motor se enfríe y el interruptor de sobrecarga se reposicionará automáticamente.
	La presión del tanque excede la presión de "corte" del interruptor.	El motor arrancará automáticamente cuando la presión del tanque caiga por debajo del nivel de "arranque" del interruptor de presión.
	Calibre o largo del cordón de extensión están equivocados.	Verificar que el calibre y el largo del cable sean los adecuados.
	Válvula de chequeo atascada en posición abierta.	Desmontar, limpiar o reemplazar.
	Conexiones eléctricas sueltas.	Verificar la conexión del cable dentro del interruptor de presión y área de la caja de terminales del motor.
	Capacitador o motor posiblemente defectuoso.	Devolver a un Centro de Servicio de Garantía Autorizado. para su inspección o reemplazo si fuese necesario.
	Presencia de pintura que se ha rociado dentro de las partes del motor.	Devolver a un Centro de Servicio de Garantía Autorizado. No operar el compresor en el área donde se pinta. Ver la advertencia sobre vapores inflamables.
Fusible volado, el interruptor de protección de sobrecarga ha saltado.	<ol style="list-style-type: none"> 1. Detectar fusibles volados en la caja de fusibles y reemplazar si es necesario. Reposicionar el interruptor de circuitos. No usar un fusible ni interruptor de circuito de mayor capacidad que el especificado para su circuito. 2. Verificar que el fusible sea el adecuado; sólo se aceptan fusibles de retardo 3. Verificar si existen condiciones de bajo voltaje y que los cordones de extensión sean los adecuados. 4. Desconectar los demás artefactos eléctricos del circuito, u operar el compresor en un circuito propio. 	
La válvula de alivio en el interruptor de presión no ha descargado la presión del cabezal.	Drenar la línea moviendo la palanquita del interruptor de presión a la posición de OFF; si la válvula no se abre, reemplazarla.	

PROBLEMA	CAUSA	SOLUCIÓN
Fuga de aire por la válvula de seguridad.	Posible defecto en la válvula de seguridad.	Operar la válvula de seguridad manualmente bajando el anillo. Si la fuga persiste, reemplazar la válvula.
Sonido de golpes.	Funcionamiento inadecuado de la válvula de retención.	Retirar y limpiar o reemplazar.
El compresor no provee suficiente aire para operar los accesorios.	Uso prolongado con aire excesivo.	Disminuir la cantidad de aire en uso.
	El compresor no es lo suficientemente grande para las necesidades de aire.	Verificar el requerimiento de aire del accesorio. Si es mayor que el SCFM o que la presión suministrada por el compresor de aire, se necesita un compresor más grande.
	Restricción de aire en el filtro de entrada.	Limpiar o cambiar el filtro de entrada de aire. No operar el compresor sin el filtro. (Ver la página 29)
	Hueco en la manguera.	Verificar y reemplazar si es necesario
	La válvula de chequeo está restringida.	Desmontar, limpiar o reemplazar.
	Fugas de aire.	Ajustar las conexiones. (Ver la Sección Fugas de Aire en la Guía de Diagnóstico de Problemas).

ACCESORIOS

Los accesorios pueden encontrarse en el comercio donde fue comprada la unidad, o en un local de artículos de ferretería.

FILTROS, REGULADORES, LUBRICADORES



FILTROS/ REGULADORES

Regula la presión del aire y remueve la humedad, aceite y otros residuos contenidos en la tubería de aire. Protege las herramientas del óxido y es esencial para la pintura por rociado. Ubíquelo lo más cercano posible a la herramienta.



REGULADOR

Controla la presión del aire a la salida y/o en las tuberías secundarias de alimentación.



LUBRICADOR O ACEITADOR I NTERCALADO EN LÍNEA

Administra el aceite dentro de la tubería de aire. Reduce el desgaste excesivo y la oxidación en las herramientas. No lo utilice al pintar por rociado.

COMPONENTES DE PLOMERÍA



CONECTORES

Conectan los componentes que tienen paso de rosca (NPT) similar; macho o hembra.



ADAPTADORES

Combinan los componentes que tienen diferente paso de rosca (NPT); macho o hembra.



CONECTOR PIVOTABLE DE 360°

Elimina el retorcimiento de la manguera y mejora la manipulación de la herramienta.



CONECTOR "T"

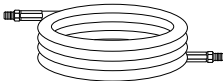
Ideal para conexiones ramificadas de aire.



VÁLVULA INTERCALADA

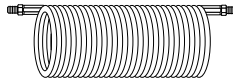
Válvula on/off. Controla el flujo del aire; NO controla la presión del aire.

MANGUERAS



MANGUERA D.I. de 3/8"

Ideal para incrementar la distancia de trabajo en aplicaciones de elevados PCM.



MANGUERA RESORTE DE 1/4"

Auto retractable y liviana. Menor volumen que las mangueras regulares. Ideal como manguera secundaria en aplicaciones de bajoS PCM.

CONEXIONES RÁPIDAS



CONECTORES Y ENCHUFES

En conjunto ambos proveen una simple y rápida unión/separación de componentes dentro de la tubería del aire. No mezcle estilos diferentes de conectores y enchufes.

NOTAS

GARANTÍA LIMITADA

PORTER-CABLE CORPORATION garantiza al comprador original que cada compresor de aire y piezas de repuesto están libres de defectos en materiales y mano de obra, y acepta por medio de esta garantía, reparar o reemplazar a partir de la fecha original de compra, cualquier producto defectuoso o parte del mismo de acuerdo a lo siguiente:

5 AÑOS – Garantía limitada sobre las **bombas** de 2 tiempos sin aceite compresoras de aire, que operan a 1725 RPM, y 1 año de garantía limitada en todas las partes restantes.

3 AÑOS – Garantía limitada sobre las **bombas** compresoras de aire lubricadas con aceite, y 1 año de garantía limitada en todas las partes restantes.

1 AÑO – Garantía limitada en todos los otros productos de compresores de aire.

90 DÍAS - Sobre las piezas de servicio.

Las garantías sobre los motores son responsabilidad del fabricante del motor. Las garantías sobre la mercadería vendida por Porter-Cable que ha sido manufacturada por otra compañía e identificada como tal, son responsabilidad del fabricante de tal producto.

ESTA GARANTÍA NO ES TRANSFERIBLE Y NO CUBRE:

- Productos vendidos con daños, incompletos, vendidos “en el estado en que se encuentran”, reacondicionados o usados como equipo para alquilar.
- Entrega, instalación o regulaciones normales explicadas en el manual del propietario.
- Daños o responsabilidades originadas en el envío, manipulación inapropiada, instalación inapropiada, voltaje incorrecto o conexión impropia, mantenimiento inadecuado, modificación inadecuada o el uso de accesorios y/o agregados no específicamente recomendados por PORTER-CABLE para ser usados para la herramienta.
- Reparaciones necesarias debido al abuso o negligencia del operador, o por el incumplimiento de instalar, operar, mantener y guardar el producto de acuerdo a las instrucciones del manual del propietario.
- Daño causado por el frío, calor, lluvia, excesiva humedad, ambientes corrosivos y materiales u otros contaminantes.
- Ítems desgastables que se gastan durante el uso normal, tales como las válvulas de drenaje, fusibles, filtros, correas, filtros de aire, bujías, aceite para motor y bomba de aceite.
- Defectos cosméticos que no interfieren con el funcionamiento de la herramienta.
- Costos de flete del cliente a Porter-Cable.
- Costos de reparación y transporte de productos o partes determinados como no defectuosos.
- **CUALQUIER PÉRDIDA, DAÑO, O EXPENSA INCIDENTAL, INDIRECTA O CONSECUENCIAL RESULTANTE DE CUALQUIER DEFECTO, FALLA O FUNCIONAMIENTO DEFECTUOSO DEL PRODUCTO.** Algunos estados no permiten la exclusión de la limitación de daños incidentales o consecuenciales, de manera que, en ese caso, la limitación expuesta más arriba no es aplicable.
- **LAS GARANTÍAS IMPLÍCITAS, INCLUIDAS AQUELLAS DE COMERCIALIZACIÓN Y APTITUD PARA UN PROPÓSITO EN PARTICULAR, ESTÁN LIMITADAS A UN AÑO A PARTIR DE LA FECHA ORIGINAL DE COMPRA.** Algunos estados no permiten las limitaciones relativas a cuánto dura el alcance de una garantía implícita, en ese caso las limitaciones mencionadas más arriba no serán de aplicación.

GARANTÍA DE SERVICIO se encuentra disponible contra la entrega o el envío del producto defectuoso o parte del mismo, a cualquier punto donde haya un servicio autorizado para atención de garantías de Porter-Cable para determinar la ubicación del servicio autorizado de atención de garantías más cercano, se puede llamar al 1-888-559-8550, durante las 24 hs., 7 días por semana. Las instrucciones especiales relacionadas con arreglos para el servicio y su programación podrán variar dependiendo del tamaño del producto y la disponibilidad de piezas de reparaciones.

- **NO RETORNAR** el producto al comerciante minorista.
- Deberá retenerse el recibo del pago original de la venta como prueba de su compra cuando se requieran trabajos cubiertos por la garantía.
- Únicamente compresores de aire con tanques de 60 y 80 galones serán inspeccionados en el sitio de instalación.
- El cliente deberá contactar directamente a Porter-Cable, en caso de que el comprador no recibiese resultados satisfactorios del servicio autorizado de garantía.

PORTER-CABLE®

Porter-Cable Corporation • 4825 Highway 45 North •
P.O. Box 2468 • Jackson, TN 38302-2468 • 1-888-559-8550

Manuel d'instructions

MODÈLE
CPF6025P

Compresseur d'air portatifs/ fixes à lubrification permanente



IMPORTANT

Veillez vous assurer que la personne qui utilise cet outil lit attentivement et comprend ces instructions avant de commencer à utiliser l'outil.

Pour de plus amples renseignements concernant Porter-Cable, consultez notre Website à l'adresse suivante:
<http://www.porter-cable.com>

PORTER-CABLE®
PROFESSIONAL POWER TOOLS

La plaque des numéros de modèle et de série est située sur le boîtier principal de l'outil. Prenez note de ces numéros dans les espaces ci-après et conservez-les pour référence future.

No. de modèle _____

Type _____

No. de séries _____

MESURES DE SÉCURITÉ - DÉFINITIONS

Ce guide contient des renseignements importants que vous devez bien saisir. Cette information porte sur **VOTRE SÉCURITÉ** et sur **LA PRÉVENTION DE PROBLÈMES D'ÉQUIPEMENT**. Afin de vous aider à identifier cette information, nous avons utilisé des signes de danger plus bas. Veuillez lire attentivement ce guide en portant une attention particulière à ces sections. **CONSERVEZ CES DÉFINITIONS/INSTRUCTIONS.**

<p>⚠ DANGER</p> <p>DANGER : Indique un danger imminent qui, s'il n'est pas évité, <u>causera de graves blessures ou la mort.</u></p>	<p>⚠ MISE EN GARDE</p> <p>MISE EN GARDE : Indique la possibilité d'un danger qui, s'il n'est pas évité <u>peut causer des blessures mineures ou moyennes.</u></p>
<p>⚠ AVERTISSEMENT</p> <p>AVERTISSEMENT : Indique la possibilité d'un danger qui, s'il n'est pas évité, <u>pourrait causer de graves blessures ou la mort.</u></p>	<p>MISE EN GARDE</p> <p>MISE EN GARDE (sans le symbole d'attention) : Indique la possibilité d'un danger qui, s'il n'est pas évité, <u>peut causer des dommages à la propriété.</u></p>
<p>Appeler notre numéro gratuit 1-888-559-8550, pour obtenir l'adresse du centre de service autorisé le plus proche pour commander les pièces de rechange et pour les réparations sous garantie.</p> <p>Lors de la commande de pièces de rechange auprès du centre de service autorisé local, donner toujours les renseignements suivants :</p> <ul style="list-style-type: none">• Numéro du modèle de votre compresseur• Le numéro de la pièce et la description de l'article que vous désirez acheter	
<p><i>Conservez votre coupon de caisse original comme preuve d'achat pour toute réparation effectuée durant la période de garantie.</i></p>	

MESURES DE SÉCURITÉ IMPORTANTES

⚠ AVERTISSEMENT En utilisant des outils électriques, des précautions de base doivent toujours être suivies pour réduire le risque d'incendie, de chocs électriques et de blessures, y compris les suivantes:

LISEZ ET SUIVEZ TOUTES LES CONSIGNES.

Cet outil été conçu pour des applications particulières. Porter-Cable recommande fortement de NE PAS modifier et/ou utiliser cet outil pour une application autre que celle pour laquelle il a été conçu. Si vous avez des questions concernant son application, N'utilisez PAS l'outil avant d'avoir écrit à Porter-Cable et que nous vous ayons avisé.

Technical Service Manager
Porter-Cable Corporation
4825 Highway 45 North
P.O. Box 2468
Jackson, TN 38302-2468

MESURES DE SÉCURITÉ IMPORTANTES

CONSERVER CES DIRECTIVES

AVERTISSEMENT



UN EMPLOI OU UN ENTRETIEN NON APPROPRIÉS DE CE PRODUIT PEUT CAUSER DES BLESSURES GRAVES ET DES DOMMAGES À LA PROPRIÉTÉ. LIRE ATTENTIVEMENT TOUS LES AVERTISSEMENTS ET LES DIRECTIVES D'UTILISATION AVANT D'UTILISER CET APPAREIL.

DANGER

RISQUE D'EXPLOSION OU D'INCENDIE



RISQUE	PRÉVENTION
<p>LES ÉTINCELLES QUI PROVIENNENT DES CONTACTS ÉLECTRIQUES DU MOTEUR ET DU MANOSTAT SONT CONSIDÉRÉES NORMALES.</p> <p>SI DES ÉTINCELLES ÉLECTRIQUES DU COMPRESSEUR ENTRENT EN CONTACT AVEC DES VAPEURS INFLAMMABLES, ELLES PEUVENT S'ENFLAMMER, PROVOQUANT UN INCENDIE OU UNE EXPLOSION.</p> <p>TOUTE OBSTRUCTION DES ORIFICES D'AÉRATION DU COMPRESSEUR ENTRAÎNERA UNE SURCHAUFFE DANGEREUSE ET RISQUE DE CAUSER UN INCENDIE.</p> <p>SI CET APPAREIL FONCTIONNE SANS SUPERVISION, CELA RISQUE DE CAUSER DES BLESSURES GRAVES OU DES DOMMAGES À LA PROPRIÉTÉ.</p>	<p>TOUJOURS UTILISER LE COMPRESSEUR DANS UN ENDROIT BIEN AÉRÉ, LOIN DE TOUTE MATIÈRE COMBUSTIBLE ET DES VAPEURS D'ESSENCE OU DE SOLVANTS.</p> <p>SI DES MATIÈRES INFLAMMABLES DOIVENT ÊTRE VAPORISÉES, SITUER LE COMPRESSEUR À UNE DISTANCE D'AU MOINS 20 PIEDS DE LA ZONE DE VAPORISATION. IL PEUT S'AVÉRER NÉCESSAIRE D'UTILISER UN BOYAU SUPPLÉMENTAIRE.</p> <p>ENTREPOSER LES MATIÈRES INFLAMMABLES DANS UN ENDROIT SÉCURITAIRE, LOIN DU COMPRESSEUR.</p> <p>NE JAMAIS PLACER DES OBJETS CONTRE OU SUR LE COMPRESSEUR. UTILISER LE COMPRESSEUR DANS UN ENDROIT OUVERT, À AU MOINS 12 POUCES (30 CM) DE TOUT MUR OU OBSTRUCTION QUI RÉDUIT LE DÉBIT D'AIR FRAIS VERS LES ORIFICES D'AÉRATION.</p> <p>UTILISER LE COMPRESSEUR DANS UN ENDROIT PROPRE. NE PAS UTILISER L'APPAREIL À L'INTÉRIEUR OU DANS UN ENDROIT CLOS.</p> <p>TOUJOURS RESTER À PROXIMITÉ DE L'APPAREIL LORSQU'IL EST EN FONCTION.</p>

RISQUE D'ÉCLATEMENT



RÉSERVOIR D'AIR : LES CONDITIONS SUIVANTES PEUVENT AFFAIBLIR LES PAROIS DU RÉSERVOIR ET PROVOQUER UNE EXPLOSION VIOLENTE DU RÉSERVOIR QUI RISQUE DE CAUSER DES DOMMAGES À LA PROPRIÉTÉ OU DES BLESSURES GRAVES.

RISQUE	PRÉVENTION
<ol style="list-style-type: none">LE DÉFAUT DE VIDANGER DE FAÇON APPROPRIÉE L'EAU CONDENSÉE DANS LE RÉSERVOIR RISQUE DE CAUSER LA ROUILLE ET L'AMINCISSEMENT DES PAROIS EN ACIER DU RÉSERVOIR.DES MODIFICATIONS OU TENTATIVES DE RÉPARATION FAITES SUR LE RÉSERVOIR.DES MODIFICATIONS NON AUTORISÉES APPORTÉES À LA SOUPAPE DE DÉCHARGE, À LA SOUPAPE DE SÛRETÉ OU À TOUTE AUTRE COMPOSANTE QUI CONTRÔLE LA PRESSION DU RÉSERVOIR.DES VIBRATIONS EXCESSIVES PEUVENT AFFAIBLIR LE RÉSERVOIR ET CAUSER UNE RUPTURE OU UNE EXPLOSION. DES VIBRATIONS EXCESSIVES SERONT PRODUITES SI LE COMPRESSEUR N'EST PAS FIXÉ DE FAÇON APPROPRIÉE. <p>FIXATIONS ET ACCESSOIRES :</p> <p>LE FAIT D'EXCÉDER LA PRESSION NOMINALE DES OUTILS PNEUMATIQUES, PISTOLETS PULVÉRISATEURS, ACCESSOIRES PNEUMATIQUES, PNEUS ET AUTRES OBJETS GONFLABLES RISQUE DE PROVOQUER L'EXPLOSION DE CES DERNIERS ET LA PROJECTION DE PIÈCES, CE QUI RISQUE DE CAUSER DE GRAVES BLESSURES.</p>	<p>PURGER LE RÉSERVOIR QUOTIDIENNEMENT OU APRÈS CHAQUE UTILISATION. SI LE RÉSERVOIR ACCUSE UNE FUITE, LE REMPLACER IMMÉDIATEMENT PAR UN NOUVEAU RÉSERVOIR OU REMPLACER LE COMPRESSEUR AU COMPLET.</p> <p>NE JAMAIS PERFORER AVEC UNE PERCEUSE, SOUDER OU FAIRE UNE MODIFICATION QUELCONQUE AU RÉSERVOIR OU À SES ACCESSOIRES.</p> <p>LE RÉSERVOIR EST CONÇU POUR SUBIR DES PRESSIONS DE SERVICE PARTICULIÈRES. NE JAMAIS EFFECTUER DES RÉGLAGES NI SUBSTITUER DES PIÈCES POUR MODIFIER LES PRESSIONS DE SERVICE ÉTABLIES À L'USINE.</p> <p>POUR LE CONTRÔLE ESSENTIEL DE LA PRESSION D'AIR, IL FAUT POSER UN RÉGULATEUR DE PRESSION ET UN MANOMÈTRE À LA SORTIE D'AIR DU COMPRESSEUR. SUIVRE LES RECOMMANDATIONS DU FABRICANT DE L'ÉQUIPEMENT ET NE JAMAIS EXCÉDER LA VALEUR NOMINALE DE PRESSION SPÉCIFIÉE DES ACCESSOIRES. NE JAMAIS UTILISER LE COMPRESSEUR POUR GONFLER DES OBJETS À FAIBLE PRESSION, TELS QUE LES JOUETS D'ENFANT, LES BALLONS DE FOOTBALL OU DE BASKET-BALL, ETC.</p>

MESURES DE SÉCURITÉ IMPORTANTES (cont'd)

RISQUE DE PROJECTION D'OBJETS



RISQUE	PRÉVENTION
<p>LE JET D'AIR COMPRIMÉ PEUT CAUSER DES LÉSIONS AUX TISSUS DE LA PEAU EXPOSÉE ET PEUT PROJETER DE LA SALETÉ, DES COPEAUX, DES PARTICULES LIBRES ET DE PETITS OBJETS À HAUTE VITESSE, CE QUI RISQUE DE CAUSER DES DOMMAGES À LA PROPRIÉTÉ OU DES BLESSURES.</p>	<p>PORTER TOUJOURS DES LUNETTES DE PROTECTION HOMOLOGUÉES ANSI Z87.1 AVEC DES ÉCRANS LATÉRAUX LORS DE L'UTILISATION DU COMPRESSEUR.</p> <p>NE JAMAIS DIRIGER LA BUSE OU LE PULVÉRISATEUR VERS SOI, VERS D'AUTRES PERSONNES OU VERS DES ANIMAUX.</p> <p>TOUJOURS METTRE LE COMPRESSEUR HORS FONCTION ET PURGER LA PRESSION DU BOYAU D'AIR ET DU RÉSERVOIR AVANT D'ENTAMER L'ENTRETIEN OU D'ATTACHER DES OUTILS OU ACCESSOIRES.</p>

RISQUE PAR INHALATION



RISQUE	PRÉVENTION
<p>L'AIR COMPRIMÉ DE VOTRE COMPRESSEUR D'AIR N'EST PAS SÉCURITAIRE POUR L'INHALATION. LE JET D'AIR PEUT CONTENIR DU MONOXYDE DE CARBONE, DES VAPEURS TOXIQUES OU DES PARTICULES SOLIDES DU RÉSERVOIR.</p> <p>LES MATIÈRES VAPORISÉES TELLES QUE LA PEINTURE, LES SOLVANTS DE PEINTURE, LES DÉCAPANTS, LES INSECTICIDES ET LES HERBICIDES CONTIENNENT DES VAPEURS NOCIVES ET TOXIQUES.</p>	<p>TOUJOURS UTILISER LE COMPRESSEUR D'AIR À L'EXTÉRIEUR, DANS UN ENDROIT PROPRE ET BIEN AÉRÉ. ÉVITER DES ENDROITS CLOS TELS QUE GARAGES, SOUS-SOLS ET HANGARS D'ENTREPOSAGE QUI NE SONT PAS DOTÉS DE SYSTÈMES D'ÉCHANGE D'AIR. GARDER LES ENFANTS, LES ANIMAUX DOMESTIQUES ET AUTRES, LOIN DE LA ZONE DE TRAVAIL.</p> <p>NE JAMAIS INHALER L'AIR ÉMIS PAR LE COMPRESSEUR, QUE CE SOIT DIRECTEMENT OU AU MOYEN D'UN DISPOSITIF RESPIRATEUR BRANCHÉ AU COMPRESSEUR.</p> <p>TRAVAILLER DANS UN ENDROIT OÙ IL Y A UNE BONNE VENTILATION TRANSVERSALE. BIEN LIRE ET RESPECTER LES DIRECTIVES DE SÉCURITÉ INDIQUÉES SUR L'ÉTIQUETTE OU LA FICHE SIGNALÉTIQUE DE LA MATIÈRE QUI EST VAPORISÉE. PORTER UN RESPIRATEUR HOMOLOGUÉ PAR LE NIOSH/MSHA ET CONÇU POUR L'APPLICATION EN QUESTION.</p>

RISQUE DE CHOC ÉLECTRIQUE



RISQUE	PRÉVENTION
<p>VOTRE COMPRESSEUR D'AIR EST ALIMENTÉ PAR ÉLECTRICITÉ. COMME AVEC TOUS LES APPAREILS ÉLECTRIQUES, SI L'APPAREIL N'EST PAS UTILISÉ DE FAÇON APPROPRIÉE, IL PEUT CAUSER DES CHOCs ÉLECTRIQUES.</p> <p>TOUTE RÉPARATION EFFECTUÉE PAR UNE PERSONNE NON QUALIFIÉE PEUT ENTRAÎNER DES BLESSURES GRAVES OU LA MORT PAR ÉLECTROCUTION.</p> <p>MISE À LA TERRE : LE DÉFAUT D'ÉTABLIR UNE MISE À LA TERRE APPROPRIÉE POUR CET APPAREIL PEUT ENTRAÎNER DES BLESSURES GRAVES OU LA MORT PAR ÉLECTROCUTION. VOIR LES DIRECTIVES DE MISE À LA TERRE.</p>	<p>NE JAMAIS FAIRE FONCTIONNER LE COMPRESSEUR À L'EXTÉRIEUR LORSQU'IL PLEUT OU DANS DES CONDITIONS HUMIDES.</p> <p>NE JAMAIS FAIRE FONCTIONNER LE COMPRESSEUR SANS LES COUVERCLES OU LORSQUE CEUX-CI SONT ENDOMMAGÉS.</p> <p>TOUT CÂBLAGE ÉLECTRIQUE OU TOUTE RÉPARATION REQUIS SUR CET APPAREIL DEVRAIT ÊTRE EFFECTUÉ PAR LE PERSONNEL D'UN CENTRE DE SERVICE APRÈS-VENTE AUTORISÉ, CONFORMÉMENT AUX CODES ÉLECTRIQUES NATIONAUX ET LOCAUX.</p> <p>S'ASSURER QUE LE CIRCUIT ÉLECTRIQUE ALIMENTANT LE COMPRESSEUR FOURNIT UNE MISE À LA TERRE ÉLECTRIQUE APPROPRIÉE, UNE TENSION APPROPRIÉE ET UNE PROTECTION ADÉQUATE PAR FUSIBLES.</p>

MESURES DE SÉCURITÉ IMPORTANTES (cont'd)

RISQUE RELIÉ AUX PIÈCES MOBILES



RISQUE	PRÉVENTION
<p>LES PIÈCES MOBILES TELLES QUE LA POULIE, LE VOLANT-MOTEUR ET LA COURROIE PEUVENT ENTRAÎNER DES BLESSURES GRAVES SI ELLES ENTRENT EN CONTACT AVEC UNE PARTIE DU CORPS OU DES VÊTEMENTS.</p> <p>EN TENTANT DE FAIRE FONCTIONNER LE COMPRESSEUR AVEC DES PIÈCES MANQUANTES OU ENDOMMAGÉES, OU DE RÉPARER LE COMPRESSEUR SANS LES GARDES DE PROTECTION, ON S'EXPOSE AUX PIÈCES MOBILES, CE QUI PEUT ENTRAÎNER DES BLESSURES GRAVES.</p>	<p>NE JAMAIS FAIRE FONCTIONNER LE COMPRESSEUR SANS LES GARDES OU LES COUVERCLES OU LORSQUE CEUX-CI SONT ENDOMMAGÉS.</p> <p>TOUTE RÉPARATION REQUISE SUR CET APPAREIL DEVRAIT ÊTRE EFFECTUÉE PAR LE PERSONNEL D'UN CENTRE DE SERVICE APRÈS-VENTE AUTORISÉ.</p>

RISQUE DE BRÛLURES



RISQUE	PRÉVENTION
<p>LE FAIT DE TOUCHER AUX SURFACES DE MÉTAL EXPOSÉES TELLES QUE LA TÊTE DU COMPRESSEUR OU LES TUBES DE SORTIE PEUT CAUSER DE GRAVES BRÛLURES À LA PEAU.</p> <p>LA TÊTE DU COMPRESSEUR ET LES TUBES DEVIENNENT TRÈS CHAUDS LORS DU FONCTIONNEMENT.</p>	<p>NE JAMAIS TOUCHER AUX PIÈCES DE MÉTAL EXPOSÉES DU MOTEUR OU DU COMPRESSEUR DURANT OU IMMÉDIATEMENT APRÈS LE FONCTIONNEMENT. LE MOTEUR ET LE COMPRESSEUR DEMEURENT CHAUDS PENDANT PLUSIEURS MINUTES APRÈS LEUR FONCTIONNEMENT.</p> <p>NE PAS TENTER D'ATTEINDRE LES COMPOSANTES DERRIÈRE LES GARDES DE PROTECTION ET NE PAS EFFECTUER DE L'ENTRETIEN AVANT D'AVOIR LAISSÉ REFROIDIR L'APPAREIL.</p>

RISQUE DE CHUTE



RISQUE	PRÉVENTION
<p>UN COMPRESSEUR PORTATIF PEUT TOMBER D'UNE TABLE, D'UN ÉTABLI OU D'UN TOIT, CE QUI POURRAIT ENDOMMAGER LE COMPRESSEUR ET CAUSER DES BLESSURES GRAVES OU LA MORT DE L'UTILISATEUR OU D'AUTRES PERSONNES À PROXIMITÉ.</p>	<p>TOUJOURS S'ASSURER DE LA STABILITÉ DU COMPRESSEUR AVANT DE LE FAIRE FONCTIONNER AFIN DE PRÉVENIR TOUT MOUVEMENT ACCIDENTEL DE L'APPAREIL. NE JAMAIS UTILISER UN COMPRESSEUR SUR UN TOIT OU DANS UNE POSITION ÉLEVÉE ; UTILISER PLUTÔT UN BOYAU D'AIR SUPPLÉMENTAIRE POUR ATTEINDRE LES ENDROITS ÉLEVÉS.</p>

RISQUE DE DOMMAGES À LA PROPRIÉTÉ PENDANT LE TRANSPORT DU COMPRESSEUR

(incendie, inhalation, dommages aux surfaces du véhicule)



RISQUE	PRÉVENTION
<p>DES FUITES OU DES DÉVERSEMENTS D'HUILE PEUVENT SE PRODUIRE ET ENTRAÎNER DES RISQUES D'INCENDIE, OU DES PROBLÈMES AUX VOIES RESPIRATOIRES, DES BLESSURES GRAVES OU LA MORT. DES FUITES D'HUILE ENDOMMAGENT LES TAPIS, LA PEINTURE ET TOUTE AUTRE SURFACE DES VÉHICULES OU DES REMORQUES.</p>	<p>TOUJOURS PLACER LE COMPRESSEUR SUR UN TAPIS DE PROTECTION POUR ÉVITER L'ENDOMMAGEMENT DU VÉHICULE PAR DES FUITES. RETIRER LE COMPRESSEUR DU VÉHICULE IMMÉDIATEMENT À L'ARRIVÉE.</p>

LEXIQUE

CFM : pieds cubes par minute.

SCFM : pieds cubes par minute standard. Une unité de mesure de sortie d'air.

PSIG : (jauge) livres par pouce carré. Une unité de mesure de tension (pression).

ASME : American Society of Mechanical Engineers. Fabriqué, mis à l'essai, inspecté et enregistré pour répondre aux normes de la ASME.

Code de la Californie : Il se peut que l'appareil soit conforme au Code 462 (I) (2)/(M) (2) de la Californie. L'étiquette des modèle/spécifications est situé sur le côté du réservoir des appareils qui sont conformes au Code de la Californie.

Pression d'enclenchement : Lorsque le moteur est en arrêt, la pression du réservoir d'air s'abaisse tandis que vous continuez d'utiliser votre accessoire. Quand la pression du réservoir baisse à un certain taux de pression, le moteur se remet automatiquement en marche. La basse pression à laquelle le moteur se remet automatiquement en marche s'appelle la "pression d'enclenchement".

Pression coupe-circuit : Lorsque vous mettez votre compresseur d'air en marche et qu'il commence à fonctionner, la pression d'air dans le réservoir commence à s'accumuler. La pression monte et atteint un taux assez élevé avant que le moteur ne s'arrête automatiquement protégeant ainsi le réservoir d'air d'un taux de pression qui excéderait sa capacité. La haute pression à laquelle le moteur s'arrête s'appelle la "pression de coupe-circuit".

Code de certification : Les produits portant une ou plusieurs des marques suivantes (UL, CUL, ETL, CETL), ont été évalués par des laboratoires de sécurité indépendantes et certifiées par l'OSHA et ces produits répondent aux normes de sécurité applicables de Underwriters Laboratories (UL).

CYCLE OPÉATOIRE

Les compresseurs d'air Porte-Cable doivent être utilisés sur un cycle opératoire ne dépassant pas 50%. Ceci signifie qu'un compresseur d'air qui pompe de l'air plus de 50 % de une heure est considéré comme étant mal utilisé étant donné que le compresseur est trop petit pour répondre à la demande d'air. La durée maximale de pompage d'un compresseur est de 30 minutes par heure.

SPECIFICATIONS

Modèle N° :	CPF6025VP
Puissance en c.-v. Peak	6,0
Alésage	2,375"
Course du cylindre	1,35"
* Tension/Hertz/Phase	120/60/1
** Exigence minimale du circuit de dérivation	15 ampères
* Genre de fusibles	fusibles à retardement
Intensité à charge max.	15 ampères
Capacité du réservoir d'air	25
Pression d'enclenchement approx.	110 PSIG
Pression de coupe-circuit approx.	135 PSIG
Pi³/min standard (SCFM) à 40 PSI	8,3
Pi³/min standard (SCFM) à 90 PSI	5,8

* **▲ MISE EN GARDE** Ces compresseurs peuvent fonctionner sur un circuit de 15 ampères si :

1. L'alimentation de tension au circuit est normale.
2. Le circuit n'est pas utilisé pour alimenter d'autres besoins en électricité (éclairage, appareils ménagers, etc.)
3. Les rallonges sont conformes aux spécifications inscrites dans le guide d'utilisation de l'appareil.
4. Le circuit est muni d'un disjoncteur de 15 ampères ou d'un fusible à retardement à élément double de 15 ampères.

Si l'une ou l'autre des conditions indiquées plus haut n'est pas observée, ou si l'utilisation du compresseur cause une interruption du courant électrique à plusieurs reprises, il peut être nécessaire d'utiliser un circuit de 20 ampères. Il n'est pas nécessaire de changer le câblage.

* Un disjoncteur est recommandé. N'utilisez qu'un fusible ou un coupe-circuit de la même valeur nominale que le circuit sur lequel le compresseur est branché. Si le compresseur d'air est branché sur un circuit protégé par des fusibles, utilisez des fusibles à retardement à élément double.

DESCRIPTION DU MODE OPÉRATIONNEL

Robinet de purge (non indiqué) : Le robinet de purge est situé à la base du réservoir d'air et est utilisé pour vidanger la condensation à la fin de chaque utilisation.

Déclencheur thermique à surmenage du moteur (non indiqué) : Le moteur électrique est muni d'un déclencheur thermique à surmenage automatique. Si le moteur surchauffe pour quelque raison que ce soit, le déclencheur thermique à surmenage coupe le moteur. Il faut laisser refroidir le moteur avant de le faire démarrer à nouveau.

Interrupteur marche-arrêt (A) Schéma 1: Mettre en position de marche (ON) pour fournir une puissance automatique au manostat et en position d'arrêt (OFF), pour couper la puissance à la fin de chaque utilisation.

Filtre d'admission d'air (non indiqué): Ce filtre est conçu pour purifier l'air qui entre dans la pompe. Le filtre doit toujours être propre et les événements libres de toute obstruction. Voir "Entretien".

Pompe du compresseur d'air (non indiqué) : Pour comprimer l'air, le piston se déplace de haut en bas dans le cylindre. A la descente, l'air entre dans les soupapes d'admission d'air. Les soupapes d'échappement demeurent fermées. A la montée du piston, l'air est comprimé. Les soupapes d'admission d'air se ferment et l'air comprimé est poussé vers les soupapes d'échappement, passe à travers la canalisation de sortie puis, par les soupapes de retenue pour finalement aboutir dans le réservoir d'air. L'air d'exploitation n'est pas disponible avant que le compresseur n'ait élevé la pression du réservoir d'air au-dessus de la pression requise à la sortie d'air.

Soupape de retenue (non indiqué): Quand le compresseur fonctionne, la soupape de retenue "s'ouvre", permettant à l'air comprimé d'entrer dans le réservoir d'air. Quand le compresseur atteint la "pression de coupe-circuit", la soupape de retenue "se ferme", permettant à la pression d'air de demeurer à l'intérieur du réservoir d'air.

Détendeur de pression (non indiqué) : Le détendeur de pression, situé sur le côté du manostat, est conçu pour libérer automatiquement l'air comprimé de la tête du compresseur et de la canalisation de sortie lorsque le compresseur atteint la "pression de coupe-circuit" ou qu'il est fermé. Quand le moteur s'arrête, il est possible d'entendre l'air s'échapper du détendeur de pression pendant quelques secondes. Aucun échappement d'air ne doit être entendu lorsque le moteur fonctionne ni la fuite continué, une fois que l'appareil a atteint sa pression de coupe-circuit.

Manostat (B) Schéma 1: Le manostat fait démarrer automatiquement le moteur lorsque la pression d'air dans le réservoir s'abaisse sous la "pression d'enclenchement" établie par la manufacture. Il coupe le moteur lorsque la pression d'air du réservoir atteint la "pression de coupe-circuit" établie par la manufacture.

Soupape de sécurité (C) Schéma 1: Si le manostat ne coupe pas compresseur d'air lorsqu'il atteint la valeur établie de la pression de coupe-circuit, la soupape de sécurité protège contre la haute pression en "sautant" à sa valeur établie en usine (légèrement supérieure à la valeur établie pour la pression de coupe-circuit du manostat).

Manomètre de sortie (D) Schéma 1: Le manomètre de sortie indique la pression d'air disponible à la sortie du régulateur. Cette pression est contrôlée par le régulateur et est toujours égale ou inférieure à la pression du réservoir.

Manomètre du réservoir (E) Schéma 1: Le manomètre du réservoir indique la pression d'air en réserve dans le réservoir.

Régulateur (F) Schéma 1: La pression d'air provenant du réservoir d'air est contrôlée par un régulateur. Tournez le bouton du régulateur dans le sens des aiguilles d'une montre pour augmenter la pression et dans le sens inverse des aiguilles d'une montre, pour réduire la pression. Pour éviter des rajustements mineurs après avoir fait un changement dans le réglage de la pression, toujours approcher la pression voulue à partir d'une pression plus faible. Au moment d'établir un réglage élevé à un réglage inférieur, il faut d'abord réduire à une pression moindre que la pression voulue puis augmenter pour ramener à la pression voulue. Selon les exigences d'air de chaque accessoire particulier, le réglage de la pression d'air à la sortie peut nécessiter un ajustement lors de l'utilisation d'un accessoire.

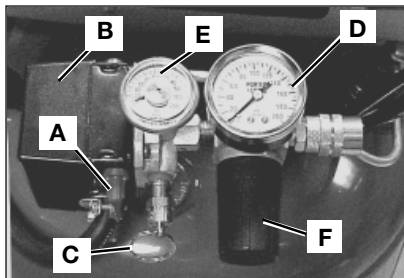


Schéma 1

ASSEMBLAGE

Assemblage du Compresseur D'Air (Schéma 2)

⚠ AVERTISSEMENT LES ROUES ET POIGNÉES N'OFFRENT PAS UN ESPACE DE DÉGAGEMENT, LA STABILITÉ OU LE SUPPORT POUR QUE L'APPAREIL PUISSE ÊTRE TIRÉ POUR MONTER OU DESCENDRE DES MARCHES OU UN ESCALIER. L'APPAREIL DOIT ÊTRE SOULEVÉ OU POUSSÉ SUR UNE RAMPE.

⚠ MISE EN GARDE Il se peut qu'il soit nécessaire de soutenir ou de consolider une extrémité de l'appareil lors de la fixation des roues et de la bande de protection de base en caoutchouc puisque le compresseur peut avoir tendance à basculer.

1. Insérez le boulon à épaulement (C) dans la roue (B) et positionnez-le dans le trou inférieur du support de fixation. Insérez l'écrou (A) sur le boulon à épaulement et serrez-le fermement à l'aide d'une clé de 9/16 po. Procédez de même pour la seconde roue.
2. Attachez les pieds en caoutchouc (D) à la partie inférieure du support avant à l'aide des vis (E) fournies.

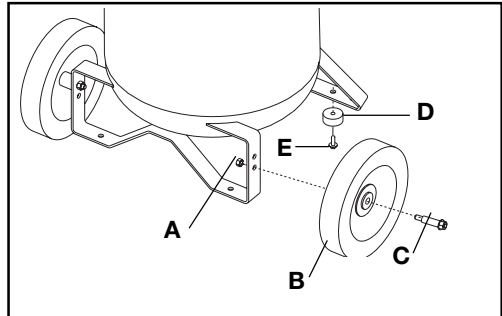


Fig. 2

Emplacement du compresseur d'air

Placez le compresseur d'air dans un endroit propre, sec et bien ventilé. Le filtre à air doit être libre de toute obstruction qui pourrait réduire le débit d'air qui entre dans le compresseur. Le compresseur d'air doit être situé à 12 po (30,5 cm) au moins de tout mur ou de toute autre obstruction qui pourrait nuire à la circulation de l'air. Le carter et la tête du compresseur d'air sont conçus de façon à fournir un refroidissement approprié. Si l'humidité est élevée, un filtre à air peut être installé sur l'adaptateur de sortie d'air pour en éliminer l'excès. Suivez attentivement les directives du filtre pour une installation appropriée.

Huile et lubrification

Cet appareil ne requiert aucune lubrification ni graissage.

Rallonge

Utilisez une conduite d'air supplémentaire au lieu d'une rallonge pour éviter une baisse de tension, une perte de puissance et la surchauffe du moteur. Une faible tension peut endommager le moteur.

Si une rallonge *doit* être utilisée, assurez-vous :

- de n'utiliser qu'une rallonge à trois fils qui comprend une fiche à trois lames avec mise à la terre et une prise à trois fentes qui accepte la fiche de la rallonge.
- qu'elle est en bon état.
- qu'elle n'excède pas 50 pi.
- qu'elle est d'un calibre minimal de 12 AWG (jauge américaine des fils). (La grosseur du fil augmente comme le numéro de jauge diminue). 10 AWG et 8 AWG peuvent également être utilisés. NE PAS UTILISER UN CALIBRE DE 14 OU DE 16 AWG.

Tension et protection du circuit

Voir les exigences de tension et de protection du circuit de votre compresseur dans le tableau des spécifications. N'utilisez qu'un fusible ou un coupe-circuit de la même valeur nominale que le circuit sur lequel le compresseur est branché. Si le compresseur est branché sur un circuit protégé par des fusibles, n'utilisez que des fusibles à retardement à élément double.

Tuyaux

⚠ AVERTISSEMENT LES TUYAUX EN PLASTIQUE OU EN CPV NE SONT PAS CONÇUS POUR UNE UTILISATION AVEC UN COMPRESSEUR D'AIR. PEU IMPORTE LES VALEURS NOMINALES DE TENSION INDIQUÉES, UN TUYAU DE PLASTIQUE PEUT ÉCLATER SOUS LA PRESSION D'AIR. N'UTILISEZ QU'UN TUYAU EN MÉTAL POUR LES CONDUITES DE DISTRIBUTION D'AIR.

Si un tube de canalisation est requis, utilisez un tube qui est de même dimension que la sortie du réservoir d'air. Un tube trop petit restreint le débit d'air. Si la tuyauterie est de plus de 100 pi, utilisez le diamètre plus grand suivant. Installez les conduites sous terre au-dessous de la ligne de gel et évitez les poches d'air où la condensation peut s'accumuler et geler. Appliquez la pression avant d'enterrer les conduites afin de vous assurer que tous les joints n'accusent aucune fuite.

L'installation d'un raccord souple entre la soupape de sortie d'air et la conduite d'air principale est recommandé afin de permettre une certaine vibration.

DIRECTIVES DE MISE A LA TERRE

⚠ DANGER RISQUE DE CHOC ÉLECTRIQUE ! En cas de court circuit, la mise à la terre réduit les risques de choc en fournissant un fil de fuite pour le courant électrique. Ce compresseur d'air doit être adéquatement mis à la terre.

Ce compresseur d'air est muni d'un cordon ayant un fil de terre avec une fiche appropriée de mise de terre. La fiche doit être utilisée sur une prise de courant installée avec mise de terre selon les normes et codes locaux. La prise doit avoir la même configuration que la fiche. Voir Schéma 3. **N'UTILISEZ PAS D'ADAPTATEUR.**

Vérifiez la fiche et le cordon de l'appareil avant chaque utilisation. Ne les utilisez pas s'il y a des indices de dommages.

⚠ DANGER UNE MISE À LA TERRE INAPPROPRIÉE PEUT ENTRAÎNER DES CHOCS ÉLECTRIQUES.

Ne modifiez pas la fiche qui est fournie. Si elle ne convient pas à la prise disponible, une prise adéquate doit être installée par un électricien qualifié.

Lors de la réparation ou du remplacement du cordon ou de la fiche, le fil de terre doit être tenu séparé des fils porteurs d'électricité. Ne branchez jamais le fil de terre à une fiche avec lame de contact plate. Le fil de terre est recouvert d'une gaine isolante dont la surface externe est verte - avec ou sans rayures jaunes.

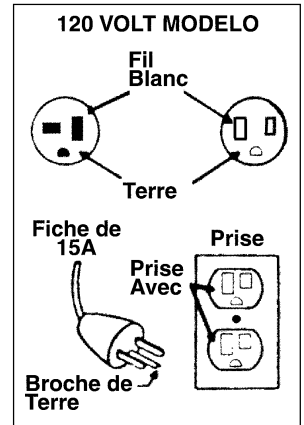


Schéma 3

Commandes et régulateurs supplémentaires

Étant donné que la pression du réservoir d'air est normalement plus élevée que la pression requise, un régulateur séparé est généralement employé pour régler la pression d'air avant tout dispositif à commande pneumatique distinct.

Procédures de mise en route

▲ MISE-EN-GARDE Cette procédure doit être exécutée avant d'utiliser le compresseur d'air pour la première fois (avant la connexion du boyau), après avoir remplacé la soupape de retenue et après avoir remplacé la pompe du compresseur.

Procédure :

1. Assurez-vous que levier du manostat est en position d'arrêt "OFF".
 2. Branchez la fiche du cordon d'alimentation dans la prise appropriée du circuit utilisé.
 3. Ouvrez complètement la soupape de vidange afin de permettre l'air de s'échapper et d'empêcher l'accumulation de pression d'air dans le réservoir lors de la période de rodage.
 4. Déplacez le levier du manostat à la position de marche/automatique "ON/AUTO". Le compresseur se mettra en marche.
 5. Faites fonctionner le compresseur pendant 15 minutes. Assurez-vous que la soupape de vidange est ouverte et que l'accumulation de pression d'air dans le réservoir est minimale.
 6. Après 15 minutes, fermez la soupape de vidange.
 7. Déplacez le levier du manostat à la position de marche/automatique "ON/AUTO". Le récepteur d'air se remplit d'air jusqu'à ce qu'il atteigne la pression de rupture et le moteur s'arrêtera ensuite.
- Le compresseur d'air est prêt à utiliser.

PROCÉDURES OPÉRATIONNELLES

Liste de vérification quotidienne de mise en marche

1. Avant d'attacher la conduite d'air ou autres accessoires, assurez-vous que l'interrupteur de MARCHE/AUTO est en position d'arrêt et que le régulateur d'air est fermé.
2. Attachez la conduite et les accessoires.

▲ AVERTISSEMENT **UNE TROP FORTE PRESSION CAUSE UN RISQUE DANGEREUX D'ÉCLATEMENT. VÉRIFIEZ LES SPÉCIFICATIONS DU FABRICANT QUANT À LA VALEUR DE PRESSION MAXIMALE POUR LES OUTILS ET LES ACCESSOIRES PNEUMATIQUES. LA PRESSION DE SORTIE DU RÉGULATEUR NE DOIT JAMAIS EXCÉDER LA VALEUR DE PRESSION MAXIMALE.**

3. Mettez l'interrupteur de MARCHE/AUTO en position AUTO et laissez s'accumuler la pression dans le réservoir. Le moteur s'arrête quand la pression dans le réservoir atteint la pression de coupe-circuit.
4. Ouvrez le régulateur en le tournant dans le sens des aiguilles d'une montre. Rajustez le régulateur à la pression appropriée. Votre compresseur est prêt à être utilisé.
5. Faites toujours fonctionner le compresseur d'air dans un endroit bien ventilé, libre de toutes vapeurs d'essence ou d'autre solvants. N'utilisez pas le compresseur près d'une aire ou cabine de vaporisation.

Une fois que vous avez terminé :

6. Placez l'interrupteur ARRÊT/AUTO (OFF/AUTO) en position ARRÊT (OFF).
7. Tournez le régulateur dans le sens contraire des aiguilles d'une montre et régler la sortie de pression à zéro.
8. Retirez l'outil ou l'accessoire pneumatique.
9. Ouvrez le régulateur et laissez l'air s'échapper lentement du réservoir. Fermez le régulateur lorsque la pression du réservoir atteint approximativement 20 PSI.
10. Vidangez l'eau du réservoir d'air en ouvrant le robinet de purge situé au bas du réservoir.

▲ AVERTISSEMENT **L'EAU SE CONDENSE DANS LE RÉSERVOIR D'AIR. SI ELLE N'EST PAS VIDANGÉE, ELLE PROVOQUE LA CORROSION DU RÉSERVOIR ET L'AFFAIBLIT CAUSANT AINSI UN RISQUE DE RUPTURE.**

11. Une fois l'eau vidangée, fermez le robinet de purge. Le compresseur d'air peut maintenant être entreposé.

REMARQUE

Si le robinet de purge est branché, libérez toute la pression d'air. Le robinet peut ensuite être enlevé, nettoyé puis réinstallé.

ENTRETIEN

⚠ DANGER L'appareil fonctionne automatiquement en cycles lorsqu'il est en marche. En effectuant de l'entretien, vous pouvez être exposé aux éléments sous tension, à l'air comprimé, aux pièces mobiles ou aux surfaces chaudes. Des blessures corporelles sont possibles. Avant d'entreprendre tout entretien ou réparation, débranchez l'appareil, purgez toute la pression d'air du réservoir et laissez l'appareil refroidir. Ne faites jamais fonctionner l'appareil lorsque le couvre-courroie n'est pas installé.

Afin d'assurer un rendement efficace et une durée de vie utile plus longue du compresseur d'air, un horaire quotidien d'entretien doit être préparé et observé. L'horaire quotidien d'entretien suivant est conçu pour un appareil utilisé tous les jours dans les conditions normales d'un milieu de travail. Au besoin, l'horaire doit être modifié pour convenir aux conditions dans lesquelles le compresseur est utilisé. Ces modifications varient selon les heures d'opération et le milieu de travail. Les compresseurs employés dans un environnement extrêmement souillé ou des conditions dures exigent des vérifications d'entretien plus fréquents.

Horaire quotidien d'entretien

Tous les jours :

1. Ouvrez le régulateur et laissez l'air s'échapper lentement du réservoir. Fermez le régulateur lorsque la pression du réservoir atteint approximativement 20 PSI.
2. Vidangez l'eau du réservoir d'air, de tous transformateurs ou séparateurs d'humidité.
3. Vérifiez s'il y a des vibrations ou des bruits inhabituels.
4. Vérifiez manuellement la soupape de sûreté afin de vous assurer qu'elle fonctionne adéquatement.
5. Vérifiez le filtre à air, remplacez-le au besoin.
6. Vérifiez les conduites d'air et les raccords pour vous assurer qu'il n'y a aucune fuite. Corrigez au besoin.

Une fois l'an ou lorsqu'il pourrait y avoir un problème :

Vérifiez la condition de l'admission de la pompe du compresseur et des soupapes d'échappement. Remplacez-les s'il y a des indices de dommages ou d'usure.

DIRECTIVES D'ENTRETIEN

Filtre à air - Vérification et remplacement

Gardez le filtre à air propre en tout temps. Ne faites pas fonctionner le compresseur sans le filtre à air.

Un filtre à air souillé ne permet pas au compresseur de fonctionner à sa pleine capacité. Avant d'utiliser le compresseur, vérifiez le filtre à air pour vous assurer qu'il est propre.

S'il est souillé, il vous suffit de tirer pour l'enlever. Vous pouvez le laver à l'eau tiède et au détergent doux ou le remplacer avec un nouveau filtre.

Soupape de sûreté - Vérification

⚠ AVERTISSEMENT SI LA SOUPAPE DE SÛRETÉ NE FONCTIONNE PAS ADÉQUATEMENT, UNE TROP FORTE PRESSON PEUT CAUSER LA RUPTURE OU L'EXPLOSION DU RÉSERVOIR D'AIR. TIREZ SUR L'ANNEAU DE LA SOUPAPE DE SÛRETÉ TOUS LES JOURS POUR VÉRIFIER SI CETTE DERNIÈRE FONCTIONNE LIBREMENT. SI LA SOUPAPE EST BLOQUÉE OU NE FONCTIONNE PAS BIEN, CELLE-CI DOIT ÊTRE REMPLACÉE PAR UNE SOUPAPE DE SÛRETÉ AYANT UNE MÊME SPÉCIFICATION DE PRESSON.

Remplacement

1. Purgez toute la pression d'air du réservoir et débranchez l'appareil.
2. Retirez le boîtier.
3. Desserrez les écrous dans le haut et le bas et enlevez le tube de sortie.
4. Retirez le tube du détendeur de pression et le raccord.
5. Dévissez la soupape de retenue à l'aide d'une clé à douille.
6. Vérifiez si le clapet de la soupape peut bouger librement à l'intérieur de la soupape de retenue et si le ressort retient le clapet levé lorsque fermé. La soupape de retenue peut être nettoyée avec un solvant fort.
7. Appliquez un scellant sur les filaments de la soupape de retenue. Réinstallez la soupape de retenue.
8. Remplacez le tube du détendeur de pression et le raccord.
9. Remplacez le tube de sortie et serrez les écrous du haut et du bas.
10. Remettez le boîtier.

Moteur

Le moteur est muni d'un déclencheur thermique à surmenage du moteur. Si le moteur surchauffe, quelle qu'en soit la raison, le déclencheur thermique coupe le moteur. Il faut laisser refroidir le moteur avant de le redémarrer. Le compresseur se remet automatiquement en marche une fois que le moteur est refroidi.

Dans le cas où le déclencheur thermique coupe le moteur fréquemment, vérifiez s'il y a un problème de tension. Une faible tension peut aussi être le problème si :

1. Le moteur n'atteint pas sa pleine puissance ou vitesse.
2. Les fusibles sautent lorsque le moteur démarre. Les lumières s'affaiblissent lorsque le moteur démarre ou sont faibles lorsque le moteur est en marche.

Remplacement du moteur - Diagramme sur le câblage

Le schéma de connexion du moteur est situé sur le côté du moteur.

ENTREPOSAGE

1. Consultez le chapitre portant sur l'Entretien dans les pages précédentes et effectuez les tâches d'entretien au besoin. Purgez l'eau du réservoir d'air.
2. Placez l'interrupteur ARRÊT/AUTO (OFF/AUTO) en position ARRÊT (OFF).
3. Tournez le régulateur dans le sens contraire des aiguilles d'une montre et régler la sortie de pression à zéro.
4. Retirez l'outil ou l'accessoire pneumatique.
5. Tirez l'anneau de la soupape de sûreté (K) Fig. 3, en laissant l'air se vider du réservoir jusqu'à ce que la pression du réservoir soit à environ 20 lb/po². Relâchez l'anneau de la soupape de sûreté.
6. Vidangez l'eau du réservoir d'air en ouvrant le robinet de purge situé au bas du réservoir.

⚠ AVERTISSEMENT

L'EAU SE CONDENSE DANS LE RÉSERVOIR D'AIR. SI ELLE N'EST PAS VIDANGÉE, ELLE PROVOQUE LA CORROSION DU RÉSERVOIR ET L'AFFAIBLIT CAUSANT AINSI UN RISQUE DE RUPTURE.

7. Une fois l'eau vidangée, fermez le robinet de purge.

REMARQUE

Si le robinet de purge est branché, libérez toute la pression d'air. Le robinet peut ensuite être enlevé, nettoyé puis réinstallé.

8. Protégez le cordon électrique et le boyau d'air contre tout dommage (pour éviter qu'un passant marche ou trébuche sur le cordon). Enroulez-les lâchement autour de la poignée de l'appareil.

Entreposez le compresseur dans un endroit frais et sec.

GUIDE DE DÉPANNAGE

⚠ AVERTISSEMENT EN EFFECTUANT DES RÉPARATIONS IL SE PEUT QUE VOUS SOYEZ EXPOSÉ AUX SOURCES DE TENSION, AUX PIÈCES MOBILES OU AUX SOURCES D'AIR COMPRIMÉ RISQUANT AINSI DES BLESSURES. DÉBRANCHEZ LE COMPRESSEUR ET VIDangez TOUTE LA PRESSION DANS LE RÉSERVOIR D'AIR AVANT D'ENTAMER TOUTE RÉPARATION.

PROBLÈME	CAUSE	CORRECTION
Pression excessive dans le réservoir - la soupape de sûreté se soulève.	<p>Le manostat ne coupe pas le moteur quand le compresseur atteint la pression de coupe-circuit.</p> <p>La valeur du coupe-circuit du manostat est trop élevée.</p>	<p>Mettez le manostat en position ARRÊT (OFF). Si l'appareil ne s'arrête pas, débranchez l'appareil. Si les contacts électriques sont soudés ensemble, remplacez le manostat.</p> <p>Communiquez avec un Centre de service autorisé pour une vérification et le remplacement du manostat.</p>
Fuite d'air aux raccords.	Les raccords de conduite ne sont pas assez serrés.	Resserrez les raccords où vous pouvez entendre l'air s'échapper. Vérifiez les raccords à l'aide d'une solution d'eau savonneuse. ÉVITEZ DE TROP SERRER.
Fuite d'air à la soupape de retenue ou à l'intérieur de celle-ci.	Soupape de retenue défectueuse ou souillée.	Une soupape de retenue défectueuse cause une fuite d'air constante au détendeur de pression lorsqu'il y a pression dans le réservoir et que le compresseur est éteint. Vidangez le réservoir. Enlevez et nettoyez ou remplacez la soupape de retenue. ÉVITEZ DE TROP SERRER.
Fuite d'air au manostat du détendeur de pression.	<p>Manostat du détendeur de pression défectueux.</p> <p>Soupape de retenue défectueuse.</p>	<p>Enlevez et remplacez le détendeur de pression.</p> <p>Une défectuosité dans la soupape de retenue cause une fuite d'air constante au détendeur de pression lorsqu'il y a pression dans le réservoir et que le compresseur est coupé. Vidangez le réservoir. Enlevez et nettoyez ou remplacez la soupape de retenue. ÉVITEZ DE TROP SERRER.</p>
Fuite d'air dans le réservoir d'air ou aux soudures du réservoir.	Réservoir d'air défectueux.	⚠ AVERTISSEMENT NE PERCEZ PAS, NE SOUDEZ PAS NI AUTREMENT NE MODIFIEZ LE RÉSERVOIR D'AIR SINON LE RÉSERVOIR S'AFFAIBLIT ET IL Y A RISQUE DE RUPTURE OU D'EXPLOSION. LE RÉSERVOIR DOIT ÊTRE REMPLACÉ.
Fuite d'air entre la tête et la plaque de la soupape.	Le joint torique d'étanchéité accuse une fuite.	Ajustez la tension des têtes de vis jusqu'à 8 pi. - lbs. Si cela n'arrête pas la fuite, remplacez le joint torique d'étanchéité.
Lecture de la pression au manomètre baisse lorsqu'un accessoire est utilisé.	Il est normal d'avoir "certaines" chutes de pression.	S'il y a une chute excessive de pression lorsqu'un accessoire est utilisé, rajustez le régulateur en suivant les instructions en page 43. REMARQUE Rajustez le régulateur dans les conditions de débit (pendant l'utilisation de l'accessoire).

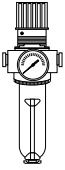
PROBLÈME	CAUSE	CORRECTION
Le moteur ne tourne pas ou ne redémarre pas.	Déclencheur thermique à surmenage du moteur activé.	Laissez refroidir le moteur et le déclencheur thermique à surmenage du moteur fera une remise à zéro automatique.
	La pression du réservoir excède la pression d'enclenchement du manostat.	Le moteur démarre automatiquement lorsque la pression du réservoir baisse en-dessous de la pression d'enclenchement du manostat.
	Calibre de fil ou longueur de la rallonge incorrect.	Vérifiez le calibre du câblage et la longueur du cordon.
	Soupape de retenue bloquée en position ouverte.	Enlevez et nettoyez ou remplacez.
	Connexions électriques relâchées.	Vérifiez la connexion des fils dans le manostat et la boîte de connexion.
	Le moteur ou le condensateur peut être défectueux.	Communiquez avec un Centre de service autorisé à la réparation durant la période de garantie pour une vérification ou un remplacement au besoin.
	Peinture vaporisée sur les pièces internes du moteur.	Faites vérifier par un Centre de service de garantie autorisé. Ne faites pas fonctionner l'appareil dans la zone de vaporisation. Voir les avertissements portant sur les vapeurs inflammables.
	Fusible sauté, disjoncteur déclenché.	<ol style="list-style-type: none"> 1. Vérifiez la boîte à fusibles et remplacez tout fusible sauté au besoin. Rétablissez le disjoncteur. N'utilisez pas un disjoncteur ou un fusible d'une valeur nominale plus élevée que celle de votre circuit de dérivation particulier. 2. Vérifiez si le fusible est adéquat. Seuls les fusibles à retardement sont acceptables. 3. Vérifiez si la tension est trop faible et si la rallonge est adéquate. 4. Débranchez les autres appareils électriques du circuit ou faites fonctionner le compresseur sur son propre circuit.
Le détendeur de pression du manostat n'a pas libéré la pression de la tête.	Vidangez la conduite en poussant le manostat en position ARRÊT (OFF). Si le détendeur ne s'ouvre pas, remplacez-le.	

PROBLÈME	CAUSE	CORRECTION
Fuite d'air à la soupape de sûreté.	Possibilité d'une défectuosité de la soupape de sécurité.	Faites fonctionner la soupape de sûreté manuellement en tirant sur l'anneau. Si la soupape accuse toujours une fuite, remplacez-la.
Cognements.	Soupape de retenue défectueuse	Enlevez et nettoyez ou remplacez.
Le compresseur ne fournit pas suffisamment d'air pour faire fonctionner les accessoires.	<p>Utilisation excessive et prolongée de l'air.</p> <p>Le compresseur n'est pas assez gros pour les exigences d'air.</p> <p>Filtre d'admission d'air obstrué.</p> <p>Conduite d'air percée.</p> <p>Soupape de retenue obstruée.</p> <p>Fuite d'air.</p>	<p>Réduisez la quantité d'air utilisée.</p> <p>Vérifiez les exigences d'air des accessoires. Si elles sont plus élevées que le SCFM (p^{3/2}/min) ou que la pression fournie par votre compresseur, vous avez besoin d'un compresseur plus gros.</p> <p>Nettoyez ou remplacez le filtre d'admission d'air. Ne faites pas fonctionner le compresseur sans le filtre. Voir page 47.</p> <p>Vérifiez et remplacez au besoin.</p> <p>Enlevez et nettoyez ou remplacez.</p> <p>Resserrez les raccords. (Voir la section portant sur les fuites d'air dans le chapitre intitulé Guide de dépannage).</p>
Bouton du régulateur accuse une fuite d'air continue. Le régulateur ne coupe pas la sortie d'air.	Régulateur endommagé.	Remplacez le régulateur.

ACCESSOIRES

Les accessoires sont disponibles au magasin où l'appareil a été acheté ou chez une quincaillerie locale.

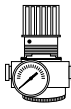
FILTRES, RÉGULATEURS, GRAISSEURS



FILTRE/RÉGULATEUR

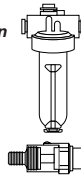
Règle la pression d'air et enlève l'humidité, l'huile et les autres débris de la conduite d'air. Protège les outils contre la rouille et est essentiel pour la pulvérisation de peintures.

À situer le plus près possible de l'outil.



RÉGULATEUR

Contrôle la pression d'air en aval et/ou dans les conduites d'alimentation secondaires.



GRAISSEUR DE CONDUITE

Applique l'huile dans la conduite d'air. Diminue l'usure excessive et la corrosion des outils.

Ne pas utiliser lors de la pulvérisation de peintures.

COMPOSANTES DE PLOMBERIE



RACCORDS

Raccorde les composantes qui ont les mêmes filets NPT ; mâle ou femelle.



ADAPTEURS

Raccorde les composantes qui ont des filets NPT différents ; mâle ou femelle.



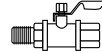
RACCORD PIVOTANT DE 360°

Élimine la torsion des boyaux et facilite la manipulation des outils.



RACCORD EN T

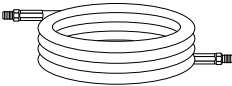
Idéal pour le branchement des conduites d'air.



SOUPAPE DE CONDUITE

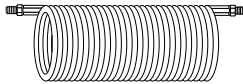
Soupape qui s'ouvre et se ferme. Contrôle le débit d'air, pas la pression d'air.

BOYAUX



BOYAU DE 3/8 PO DE DIA. INT.

Idéal pour augmenter la distance de travail pour les applications à débit élevé en pi3/min.



BOYAU SPIRALÉ DE 1/4 PO

Auto-rétractable et léger. Prend moins de place que les boyaux ordinaires. Idéal comme conduite secondaire pour les applications à faible débit en pi3/min.

RACCORDS À CONNEXION RAPIDE



CORPS ET BOUCHONS

Ensemble ils permettent un raccordement/séparation rapide et facile des composantes dans la conduite d'air. Ne pas mélanger les différents modèles de corps et de bouchons.

NOTES/NOTA/REMARQUE

NOTES/NOTA/REMARQUE

GARANTIE LIMITÉE

PORTER-CABLE CORPORATION garantit à l'acheteur original que chaque compresseur d'air neuf et pièce de rechange est exempt de défauts de matériaux et de fabrication et il consent, dans cette offre de garantie, à réparer ou à remplacer tout produit défectueux ou pièce défectueuse, selon les stipulations ci-dessous, pour la période indiquée à partir de la date d'achat originale :

5 ANS - Garantie limitée de 5 ans sur les pompes de compresseurs d'air sans huile, à 2 étages, fonctionnant à 1 725 tr/min et garantie limitée d'un an pour toutes les autres pièces.

3 ANS - Garantie limitée de 3 ans sur les pompes de compresseurs d'air lubrifiées à l'huile et garantie limitée d'un an pour toutes les autres pièces.

1 AN - Garantie limitée d'un an pour toutes les autres composantes des compresseurs d'air.

90 JOURS - Pièces de rechange

Les moteurs sont garantis par le fabricant du moteur. Les marchandises vendues par Porter-Cable mais fabriquées et identifiées comme provenant d'autres compagnies, sont garanties par le fabricant du produit en question.

CETTE GARANTIE N'EST PAS TRANSFÉRABLE ET NE COUVRE PAS CE QUI SUIT :

- Les produits vendus en état endommagé ou incomplet, vendus «tel quel», vendus en état remis à neuf, ou des produits utilisés comme équipement de location.
- La livraison, l'installation ou les réglages normaux décrits dans le guide de l'utilisateur.
- Les dommages causés ou les responsabilités encourues lors du transport ou à cause d'une manutention ou d'une installation non appropriées, de l'utilisation à une tension non appropriée ou avec un câblage non approprié, d'un entretien ou d'une modification non appropriés, ou de l'utilisation d'accessoires et/ou de pièces non recommandés par PORTER-CABLE pour l'outil en question.
- Les réparations nécessaires à cause d'un usage abusif de l'outil, de négligence ou de tout manquement d'installer, d'utiliser, d'entretenir et d'entreposer le produit selon les directives figurant dans le guide de l'utilisateur.
- Les dommages causés par le froid, la chaleur, la pluie, l'humidité, les produits corrosifs ou tout autre contaminant ou les environnements provoquant la corrosion.
- Les articles sujets à l'usure lors d'un usage normal, tels que les soupapes de vidange, fusibles, filtres, courroies, filtres à air, bougies d'allumage, l'huile à moteur et l'huile pour pompes.
- Les imperfections d'apparence qui ne peuvent pas nuire au fonctionnement de l'outil.
- Les frais de transport jusqu'au centre de réparation de Porter-Cable.
- Les frais de réparation et de transport pour les produits non reconnus comme étant défectueux.
- **TOUTES PERTES OU TOUS DOMMAGES-INTÉRÊTS, INDIRECTS OU ACCESSOIRES, OU FRAIS POUVANT RÉSULTER D'UN DÉFAUT QUELCONQUE, D'UNE PANNE OU D'UN MAUVAIS FONCTIONNEMENT DU PRODUIT.** Certains états et certaines provinces ne permettent aucune exclusion ni limite aux dommages-intérêts et accessoires donc, il se peut que les limites ou exclusions ci-dessus ne s'appliquent pas dans votre cas.
- **TOUTES GARANTIES IMPLICITES, Y COMPRIS CELLES RELATIVES À LA VALEUR COMMERCIALE ET À LA POSSIBILITÉ D'ADAPTATION DU PRODUIT À UN USAGE PARTICULIER SONT LIMITÉES À UNE PÉRIODE D'UN AN À PARTIR DE LA DATE D'ACHAT ORIGINALE.** Certains états et certaines provinces ne permettent aucune limite de durée d'une garantie implicite donc, il se peut que les limites ci-dessus ne s'appliquent pas dans votre cas.

Le **SERVICE DE GARANTIE** vous est offert si vous apportez ou envoyez le produit défectueux ou la pièce défectueuse à n'importe quel centre de service sous garantie autorisé de Porter-Cable. Pour connaître l'emplacement du centre de service sous garantie autorisé de Porter-Cable le plus près de chez vous, composez le 1-888-659-8550, 24 heures par jours, 7 jours par semaine. Les directives spécifiques concernant les mesures à prendre pour faire réparer les différents types et dimensions de compresseurs varient selon les heures d'ouverture du centre et la disponibilité des pièces requises.

- NE retournez PAS le produit défectueux au détaillant.
- Conservez le reçu de caisse original comme preuve d'achat pour toute réparation sous garantie.
- Seulement les compresseurs d'air dotés d'un réservoir de 60 ou 80 gallons (227 ou 303 litres) seront inspectés sur les lieux de leur installation.
- Si le client n'est pas satisfait de l'intervention du centre de service sous garantie autorisé, il devrait contacter directement la compagnie Porter-Cable.

PORTER-CABLE®

Porter-Cable Corporation
4825 Highway 45 North
P.O. Box 2468
Jackson, TN 38302-2468
1-888-559-8550
55-FR

PORTER ♦ CABLE®

Porter-Cable Corporation
4825 Highway 45 North
P.O. Box 2468
Jackson, TN 38302-2468
1-888-559-8550